



YLI ELECTRONIC

American Type Wall Mount Door Holder

Model: YD-603US



Basic Instruction

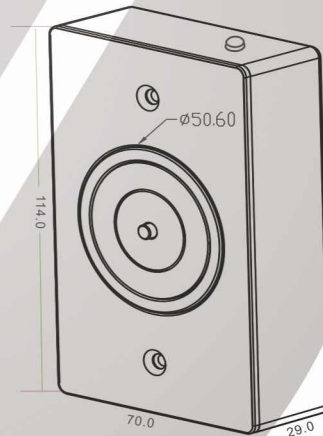
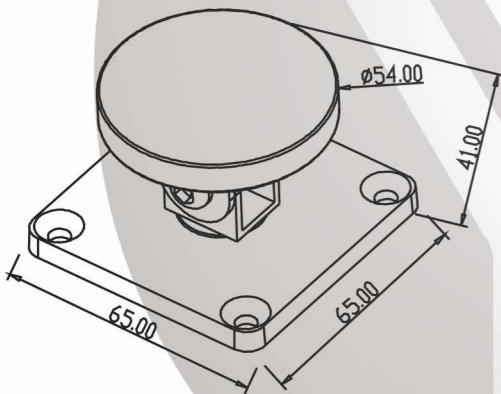
Dual Voltage Selectable(12VDC or 24VDC)
Emergency Release Button/Test Button
Wall Mounting Direction

Low Current Consumption
Reliable Fail-Safe Mechanism
Durable and Silence Operation

Specifications

- Dimension: 114Lx70Wx29H(mm)
- Voltage:12VDC/24VDC(Adjustment)
- Current: 12V/140mA; 24V/70mA
- Surface Temp: $\leq +20^{\circ}\text{C}$
- Operating Temp: $-10\sim+55^{\circ}\text{C}$ (14-131F)
- Finishes for Armature: Chromium
- Weight: 1.0kg
- Faceplate material: stainless steel
- Holding Force: 50kg(110Lbs)
- Suitable for: All kinds of Smokeproof Doors
- Optional: Manual door release button
- Finishes for Shell: High Temperature Paint
- Environmental Protection Zinc
- Suitable Humidity: 0~95%

Dimension



Installation

Remarks:

1. The default setting is 24VDC.
2. If user want to connect with 12VDC, operating as below:
 - (1) Pull those two jumpers out. It is showed 4 pins here.
 - (2) To set up 12VDC, insert one jumper on the position of 1 and 2, second jumper on the position of 3 and 4.

