



YLI ELECTRONIC

# Wall Mount Door Holder

## Model:YD-611WP



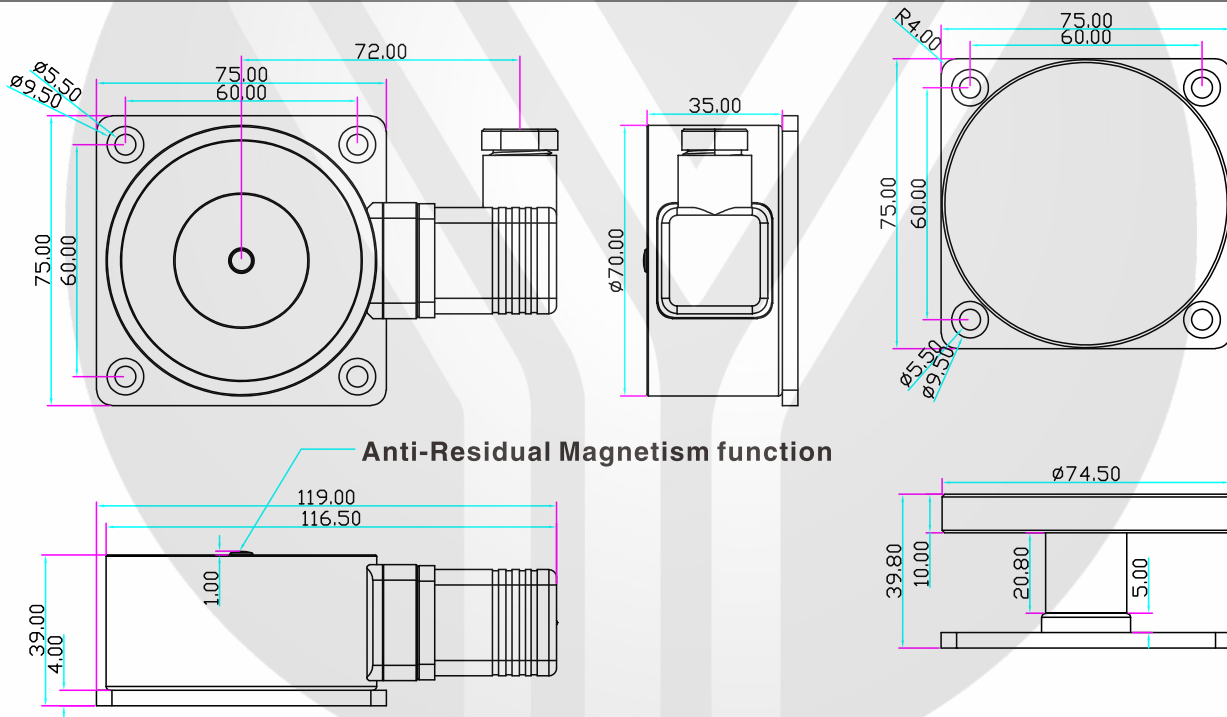
### Introduction

1. The Factory default voltage is DC24V( special order 12V)  
The door holders are designed for use with self-closing fire and smoke barrier doors and keep the fireproof door open.
2. The IP rating is IP65 and holding force is 150kg.It can be used in navigation, ships, and humid environments.

### Specifications

- Size:119Lx75Wx40H(mm)
- Operating Voltage: 24VDC ( special order 12V)
- Operating Current: 0.13A
- Holding Force: 150kg
- Maximum Power:3W
- IP Rating:IP65
- Accessory : cable PG9 Water Proof Conduit Pipe
- Product Weight:1.66kg

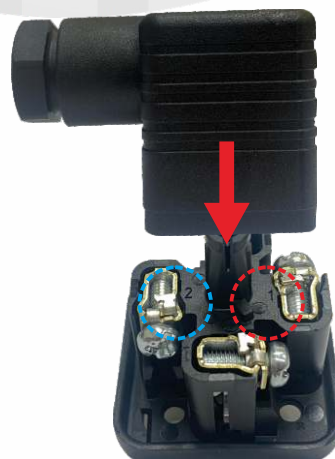
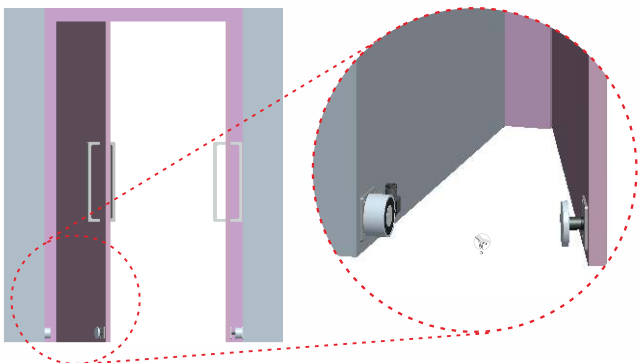
### Dimension



Anti-Residual Magnetism function

### Installation

### Wiring Instruction



Terminal "1" "2" for power