



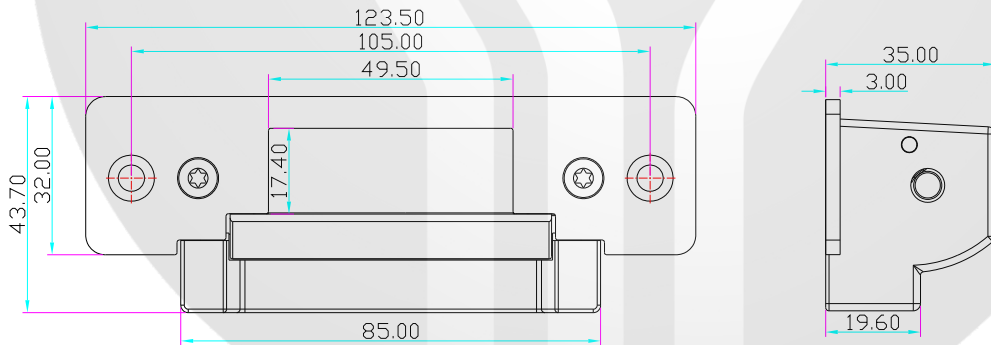
YLI ELECTRONIC

# American standard waterproof electric strike

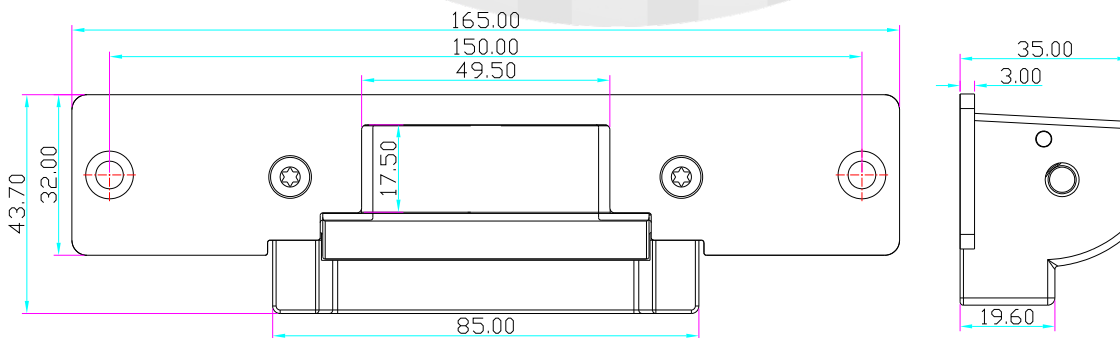
## Specification

Model	Face Plate	Voltage	Current	Feature	Suitable for	Waterproof Level	Weight
YS-138-IP	124Lx43Wx35H	DC 12V(Default) DC 24V(Order)	12V/320mA; 24V/160mA	Fail secure(NO) Fail safe(NC)	Wooden door Metal door Glass door	IP65	0.38kg
YS-138L-IP	165Lx43.7Wx35H	DC 12V(Default) DC 24V(Order)	12V/320mA; 24V/160mA	Fail secure(NO) Fail safe(NC)	Wooden door Metal door Glass door	IP65	0.40kg
Durable design	Mechanical test: 1, 000, 000 times						

## Diagram(unit:mm)



YS-138-IP



YS-138L-IP

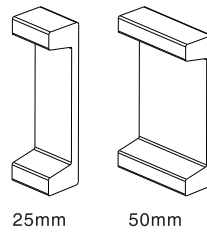
## Signal Output

### Door Status

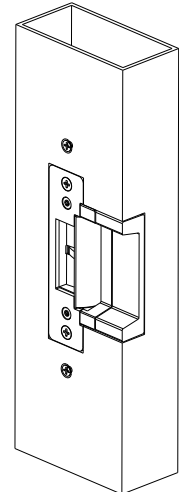
Red: + }  
 Black: - } DC 12V(Default); DC 24V(Order)

## Accessories

If the door frame is too thick, please use the extension plate. Installation is as the follows.



25mm 50mm  
 Extension plate(need order)

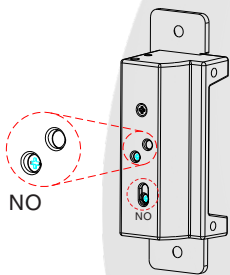


## Function Conversion

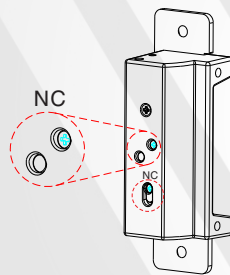
You can set the operation mode of Fail Safe or Fail Secure.

Loose the screw and tighten it in the other hole.  
 Fail Safe(NC): When power off, the door is in the open status.

Fail Secure(NO): When power off, the door is in the closed status.



Fail Secure

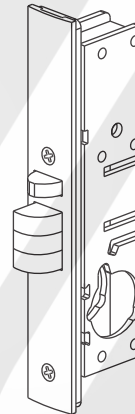


Fail Safe

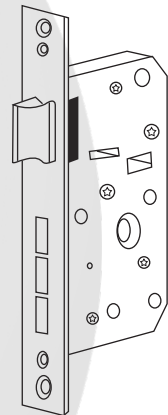
## Options of Mechanical Lock

Suitable for: YS-138, YS-138L

Suitable for: YS-138LK

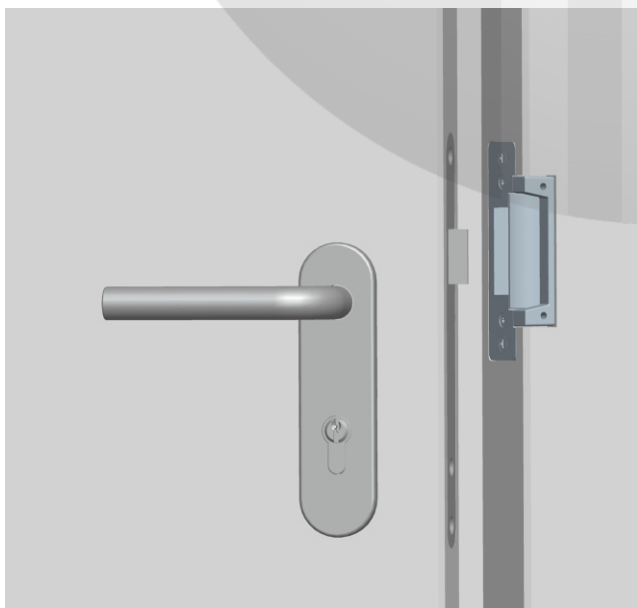


YS-305/306



YS-308

## Installation Diagram



## Overall Dimensions

