



YLI ELECTRONIC

American standard Heavy Duty Electric Strike

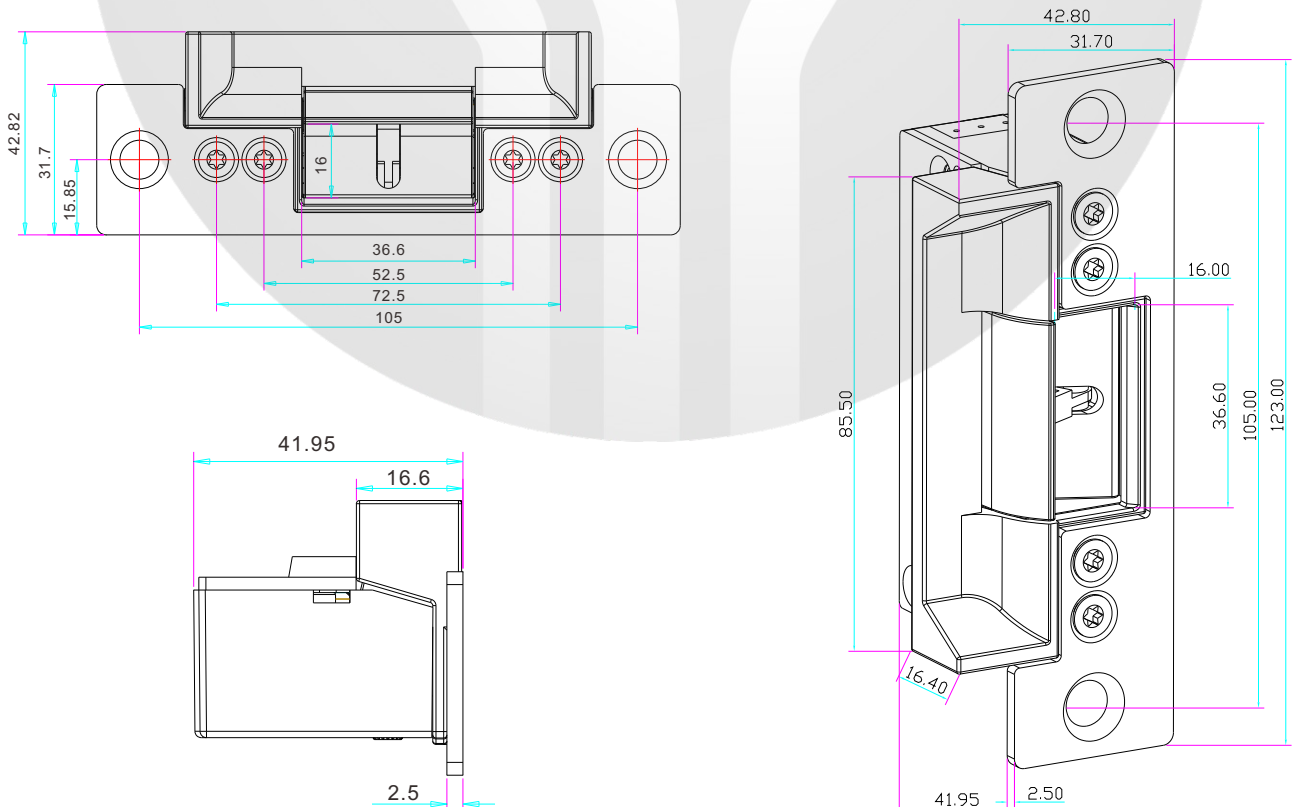


Model:YS-136NO/NC-S

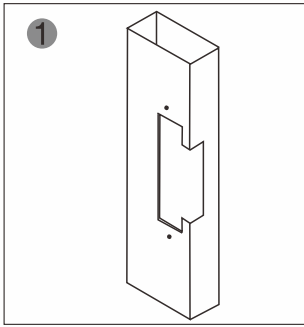
Specification

| | |
|----------------------|--|
| Lock size | 123Lx43Wx42H(mm) |
| Voltage | 12VDC(24VDCneed order) |
| Current | 12V/320mA; 24V/160mA |
| Face plate | 304 stainless steel force structure |
| Lock | Zinc alloy(baking varnish by high temperature) |
| Signal output | Door status output NO/NC/COM |
| Feature | Fail secure(YS-136NO-S) ;Fail safe(YS-136NC-S) |
| Suitable For | Wooden Door, Metal Door, PVC Door |
| Weight | 0.34kg |

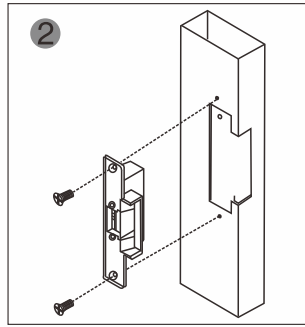
Diagram(unit:mm)



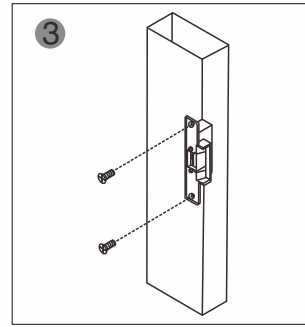
Installation



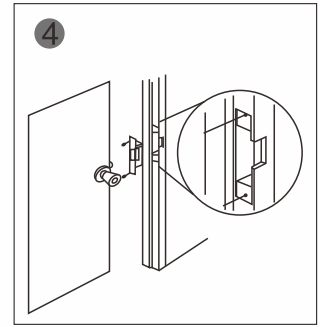
1 Cut hole according to the dimension of strike.



2 Assemble the lock and connect it to the power to test

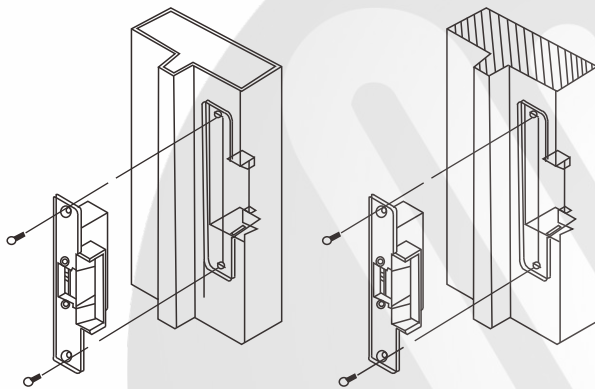


3 Fix the electric strike



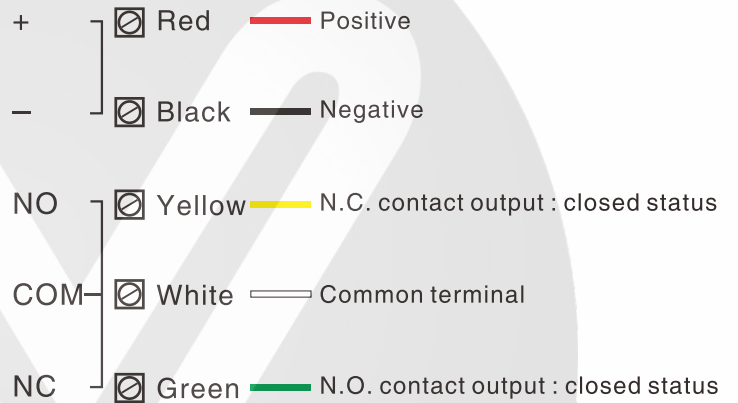
4 Finished

Suitable for



Metal Door Frame

Wooden Door Frame



Wire connection

