



YLI ELECTRONIC



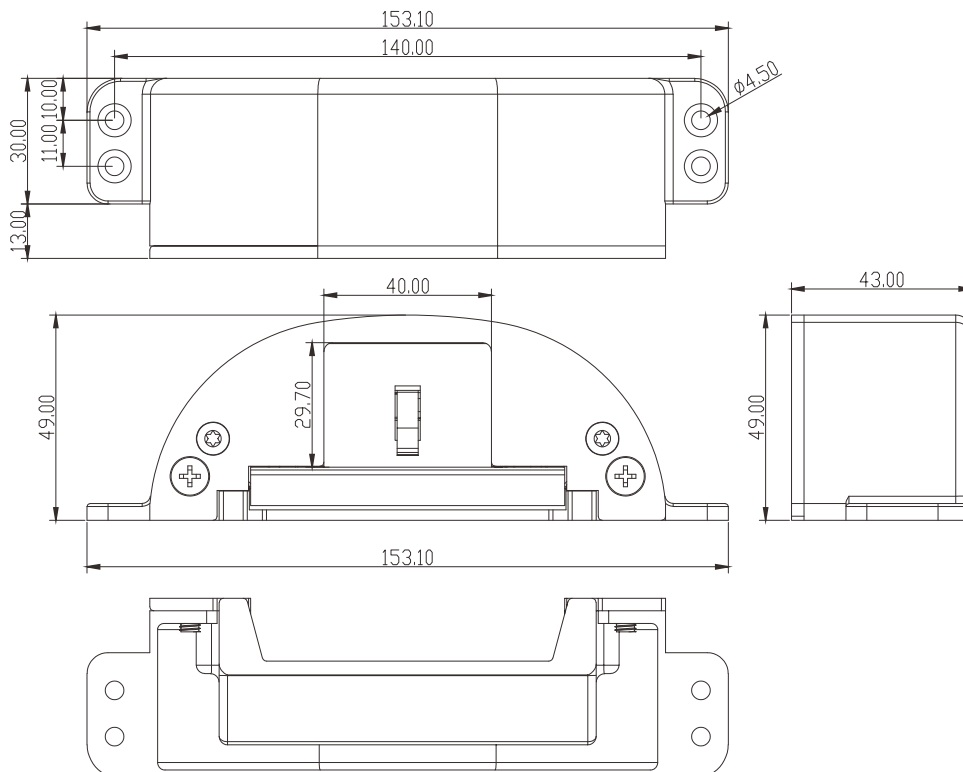
Electric Strike for Push Bar

Model: YS-622N-S

Specification

Dimension	153Lx43Wx49H(mm)
Voltage	DC12V(Default); DC24V(Order)
Current	12V/280mA
Material	17-4 Stainless Steel
Feature	Fail Safe / Fail Secure adjustable(Standard type power off to unlock(NC))
Signal Output	Door sensor(NO/NC/COM)
Suitable for	European & American fire push bar
Special design	Applies to all brands of fire push rod lock
Durable design	Mechanical test: 500, 000 times
Door Swing	90 degrees
Weight	0.52kg

Diagram (unit:mm)



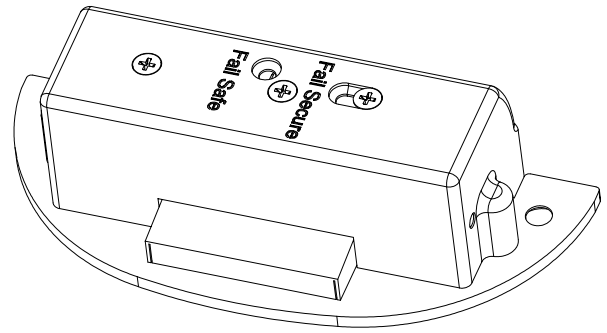
Signal Output

N.C. contact or access relay for fail safe setting.
 N.O. contact or access relay for fail secure setting.

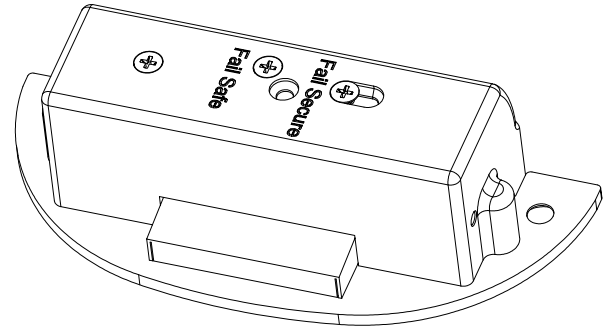
Green: NO] Door Status	N.C. contact output : open status
White: COM		N.O. contact output : closed status
Yellow: NC		
Red: +] DC12V(Default); DC24V(Order)	
Black: -		



Function Conversion

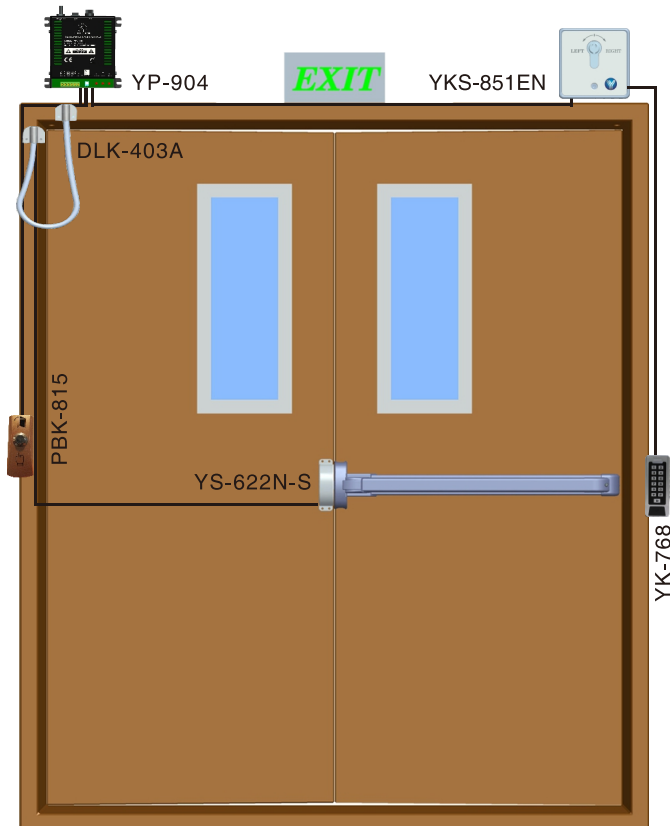


Fail secure(NO)



Fail safe(NC)

Installation Diagram



Overall Dimensions

