



YLI ELECTRONIC



Patent: No.201420531901.9

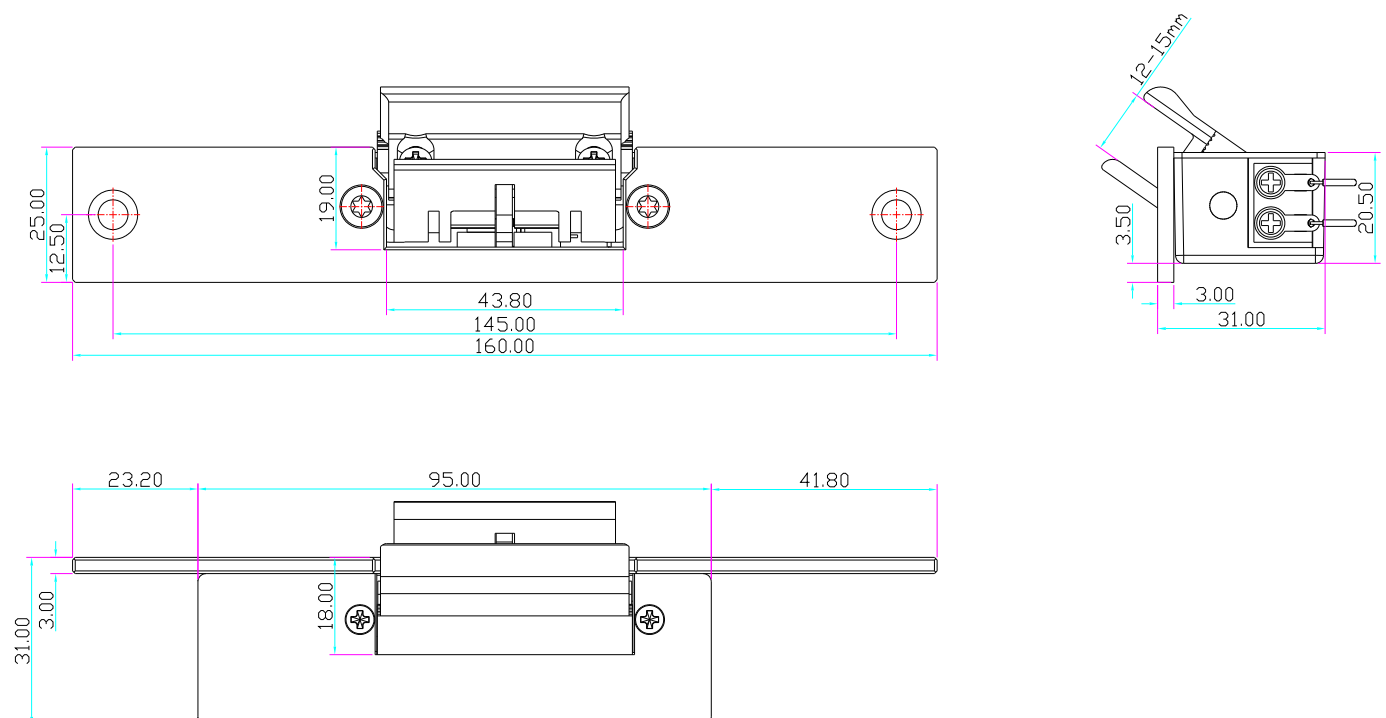
Electric Strike for Glass Door with Signal

Model: YS-133NC-S

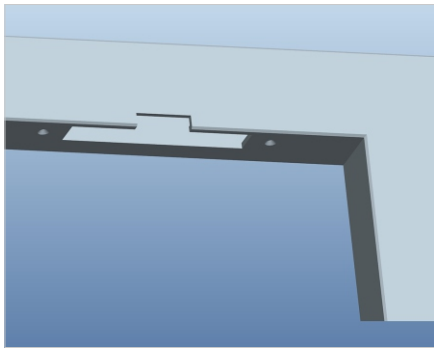
Specification

Size	160Lx25Wx31H(mm)
Voltage	DC 12V (DC 24V need order)
Current	DC 12V/200mA; DC 24V/100mA
Face plate	304 stainless steel force structure
Lock	Zinc alloy (baking varnish by high temperature)
Signal Output	Lock status output NO/NC/COM
Feature	Fail safe (NC)
Glass Thickness	12-15mm
Weight	0.4kg

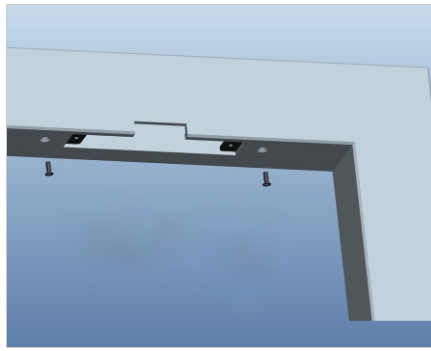
Diagram (unit:mm)



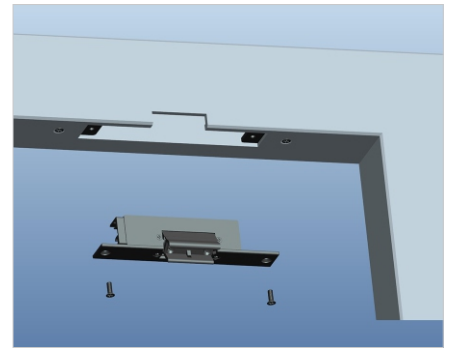
Installation



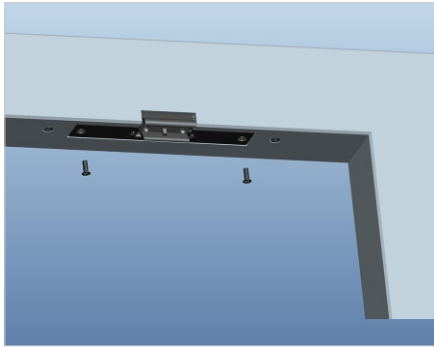
1. Cut hole according to the dimension of strike.



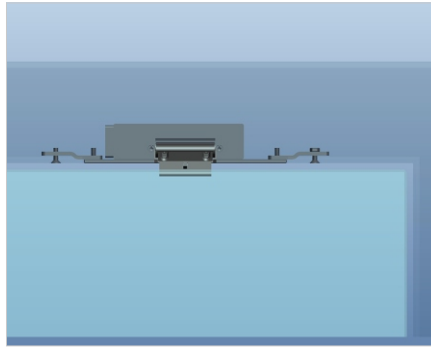
2. Extend the pills.



3. Assemble the lock and connect it to the power to test.



4. Fix the electric strike



5. Electric strike finished

Wire connection

