



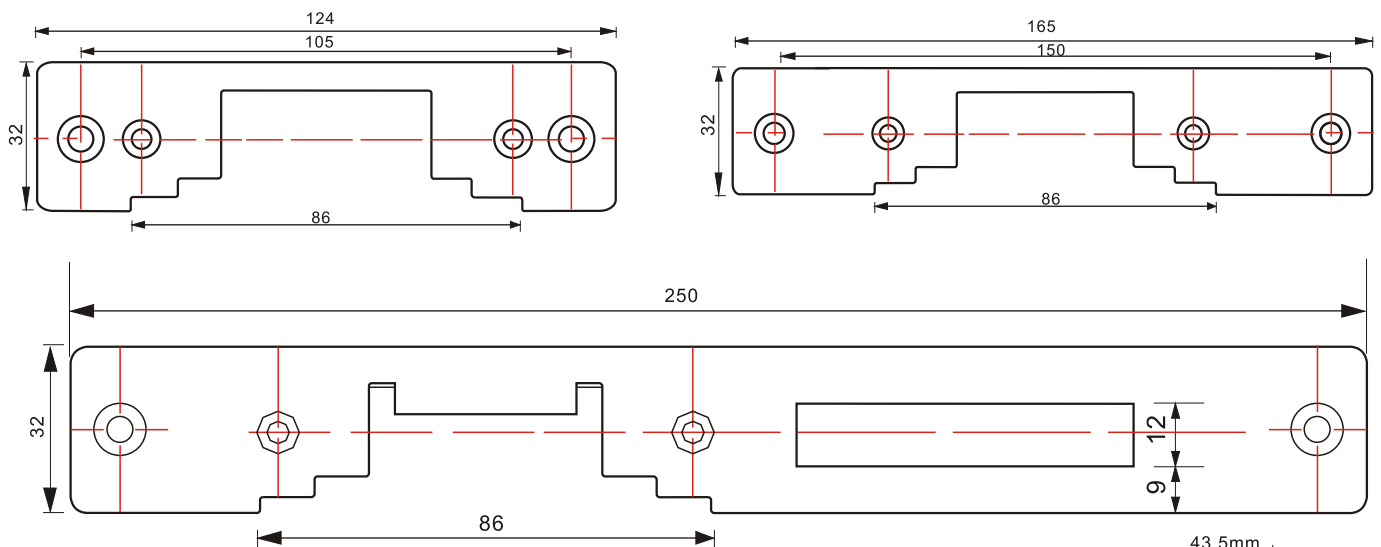
Electric strike series

ANSI Standard Heavy Duty Electric Strike

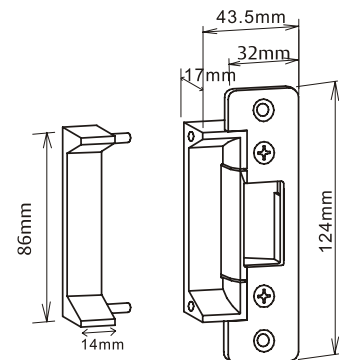
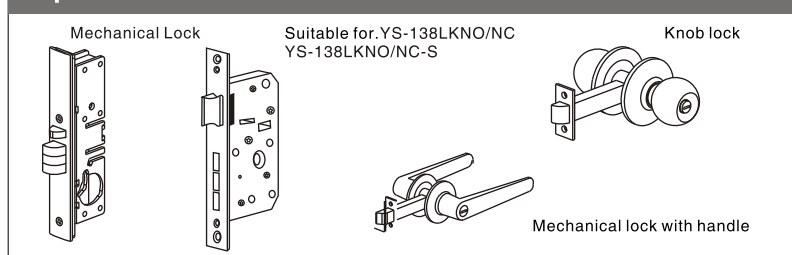
Specification

Model	Face Plate	Voltage	Current	Fail Safe	Suitable for	Signal Output	Weight
YS-138NO/NC	124Lx32Wx33H	12VDC	250mA	Fail Secure(NO) Fail Safe(NC)	Woodeng door Metal door	No	0.4 kg
YS-138NO/NC-S	124Lx32Wx33H	12VDC	250mA	Fail Secure(NO) Fail Safe(NC)	Woodeng door Metal door	Yes	0.4 kg
YS-138LNO/NC	165Lx32Wx33H	12VDC	250mA	Fail Secure(NO) Fail Safe(NC)	Woodeng door Metal door	No	0.4 kg
YS-138LNO/NC-S	165Lx32Wx33H	12VDC	250mA	Fail Secure(NO) Fail Safe(NC)	Woodeng door Metal door	Yes	0.4 kg
YS-138LKNO/NC	250Lx32Wx33H	12VDC	250mA	Fail Secure(NO) Fail Safe(NC)	Woodeng door Metal door	No	0.4 kg
YS-138LKNO/NC-S	250Lx32Wx33H	12VDC	250mA	Fail Secure(NO) Fail Safe(NC)	Woodeng door Metal door	Yes	0.4 kg

Diagram (unit:mm)

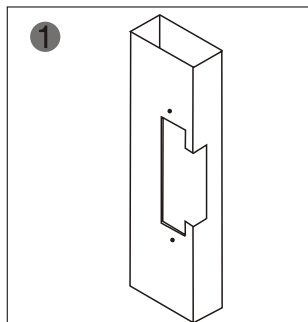


Options of Mechanical Lock

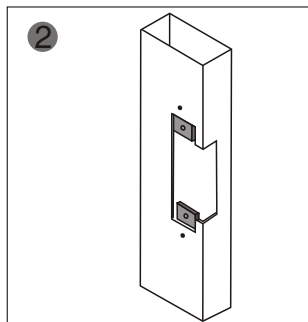




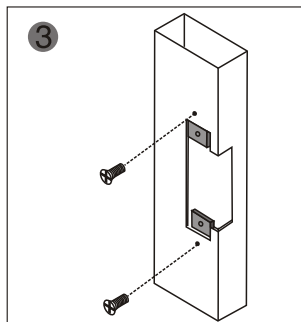
Installation



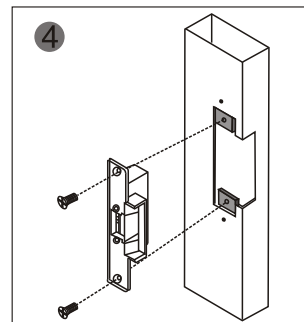
1 Cut hole according to the dimension of strike.



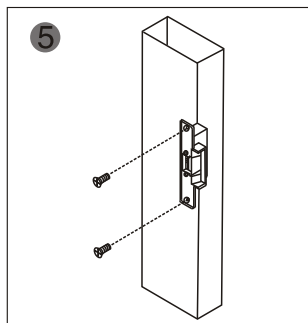
2 Insert the fixing lug



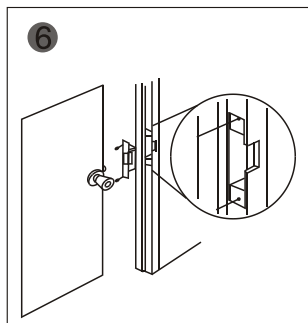
3 Fix the fixing lug



4 Assemble the lock and connect it to the power to test

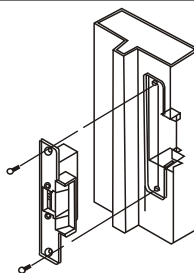


5 Fix the electric strike

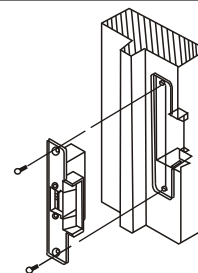


6 Finished

Suitable for



Metal Door Frame



Wooden Door Frame

Wire connection

