



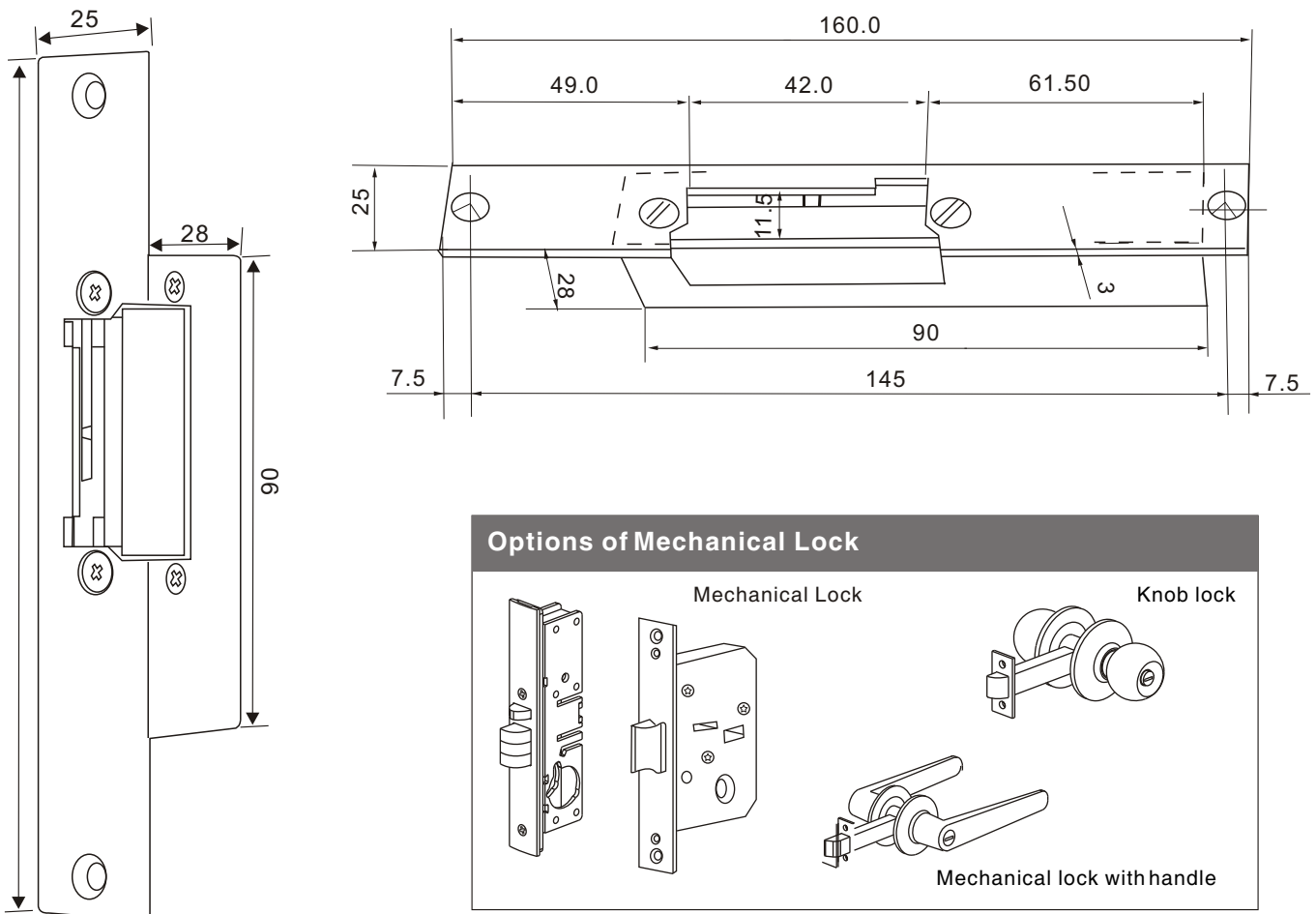
Electric Strike

Electric Strike with Short/ Long Faceplate

Specification

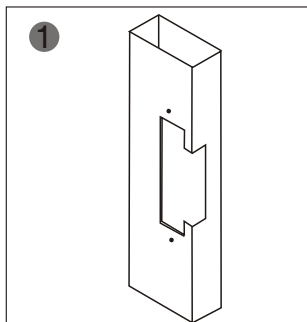
| Model | Face Plate | Voltage | Current | Fail Safe | Suitable for | Weight |
|-----------|--------------|---------|-------------------|----------------------------------|----------------------------|---------|
| YS-132NO | 250Lx25Wx28H | 12VDC | 450mA | Fail Secure(NO) | Woodeng door Metal door | 0.4 kg |
| YS-132NC | 250Lx25Wx28H | 12VDC | 200mA | Fail Safe(NC) | Woodeng door Metal door | 0.4 kg |
| YS-132FP1 | 168Lx36Wx32H | 12VDC | 450mA or 200mA | Fail Secure(NO) Fail Safe(NC) | Woodeng door Metal door | 0.36 kg |
| YS-132FP2 | 250Lx36Wx32H | 12VDC | 450mA or 200mA | Fail Secure(NO) Fail Safe(NC) | Woodeng door Metal door | 0.37 kg |
| YS-132FP3 | 250Lx26Wx32H | 12VDC | 450mA or 200mA | Fail Secure(NO) Fail Safe(NC) | Woodeng door Metal door | 0.37 kg |

Diagram (unit:mm)

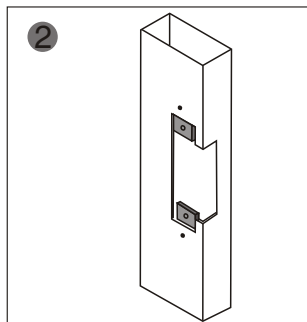




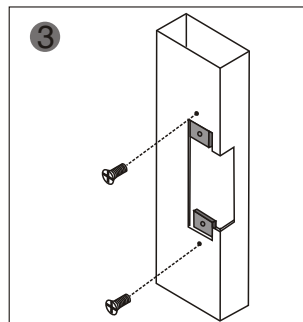
Installation



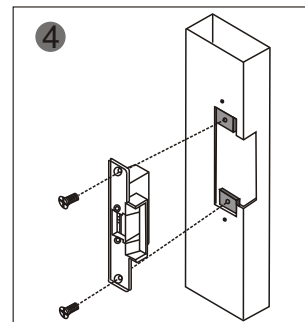
1 Cut hole according to the dimension of strike.



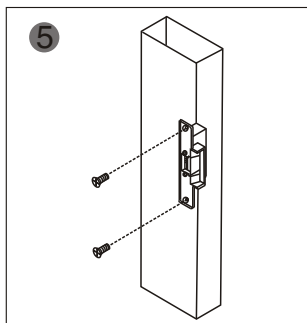
2 Insert the fixing lug



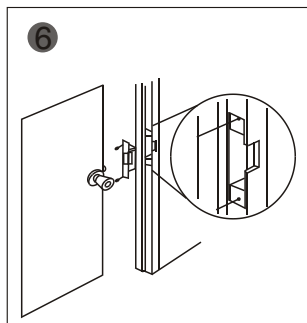
3 Fix the fixing lug



4 Assemble the lock and connect it to the power to test

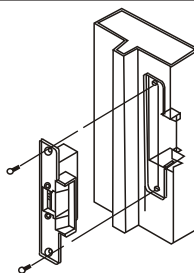


5 Fix the electric strike

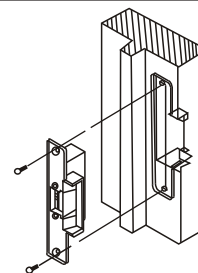


6 Finished

Suitable for



Metal Door Frame



Wooden Door Frame

Wire connection

