



YLI ELECTRONIC



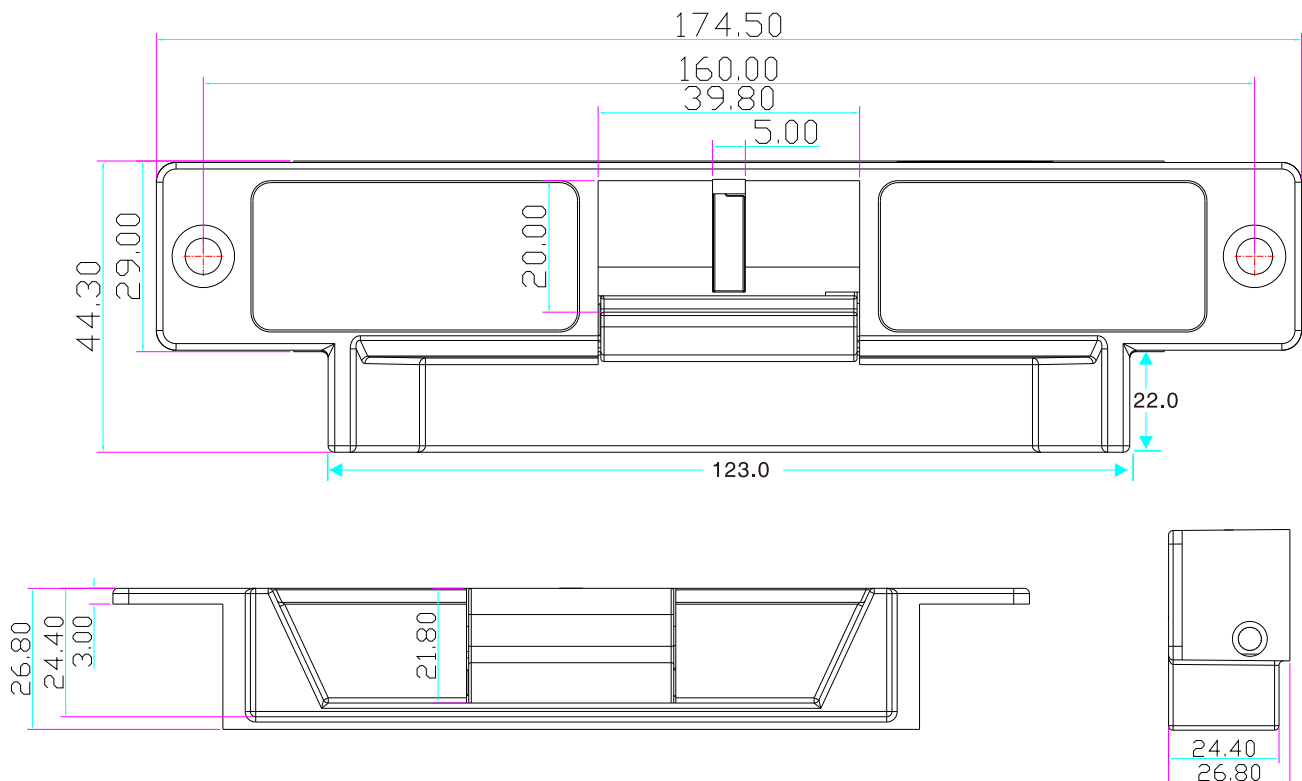
Australian Standard Heavy Duty Electric Strike W/Signal

Model:YS-137-S

Specification

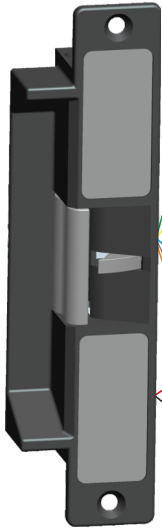
Dimension	174.5L*44.3W*26.8H(mm)
Voltage	DC12V (DC24V Customized)
Current	12V/320mA±20%; 24V/200mA±20%
Bolt Material	Harden 304 Stainless Steel
Feature	Fail Safe / Fail Secure adjustable
Door status sensor	NO/NC/COM
Lock status sensor	NO/NC/COM
Durable design	Mechanical test: 1, 000, 000 times
Suitable for	Australian Standard Mechanical Lock
Door Swing	90 degrees
Weight	0.5kg

Diagram(unit:mm)



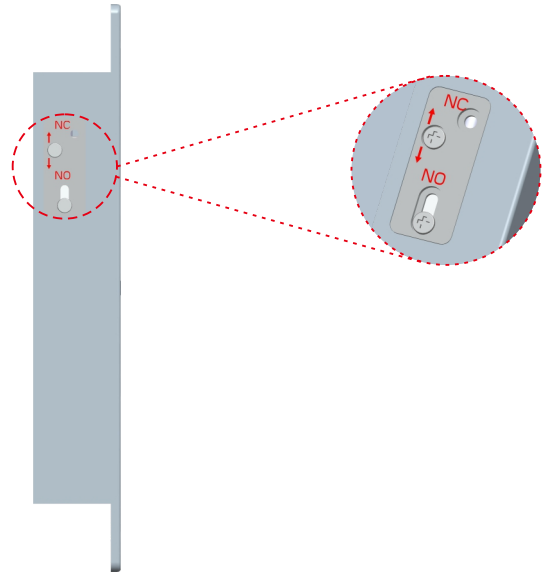
Signal Output

N.C. contact or access relay for fail safe setting.
 N.O. contact or access relay for fail secure setting.



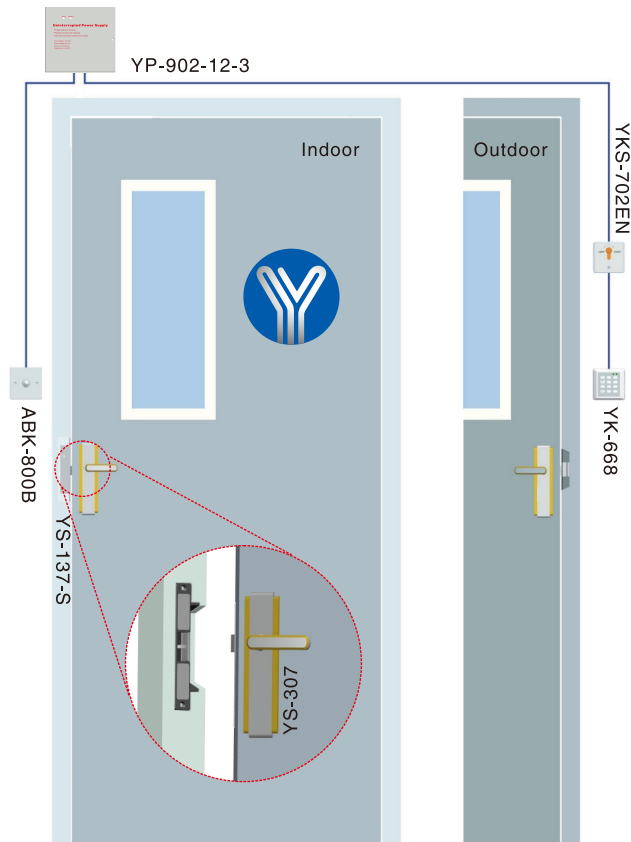
- | | | |
|------------|------------------------------------|--|
| Green: NO | } Door Status | N.C. contact output : open status
N.O. contact output : closed status |
| White: COM | | |
| Yellow: NC | | |
| Blue: NO | } Locked or Unlocked Status | N.O. contact output : unlocked status
N.C. contact output : locked status |
| Grey: COM | | |
| Orange: NC | | |
| Red: + | | |
| Black: - | | |

Adjustment



You can set the operation mode of Fail Safe or Fail Secure.
 Loose the screw and tighten it in the other hole.
 Fail Safe(NC): When power off, the door is in the open status.
 Fail Secure(NO): When power off, the door is in the closed status.

Installation Diagram



Overall Dimensions

