



YLI ELECTRONIC

# Motor Driven Mute Electric Bolt with Cylinder

Model: YB-1610MD(LED)



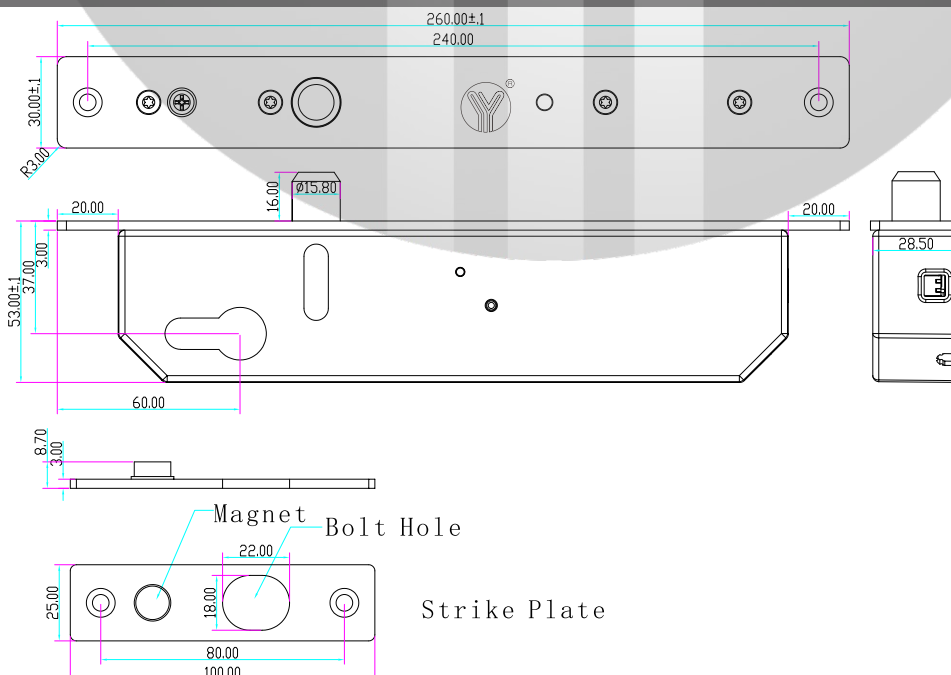
## Introduction

The motor driven mute electric bolt is locked and unlocked by the activity of the bolt which is driven by the stepping motor. The stepping motor has great strength, the powerful thrust of the stepping motor can be used to push the bolt to align the door to achieve the purpose of locking when the door is deformed or skewed. All parts are made of metal material, the mechanical structure of inserting and resetting has been treated with noise reduction. The two Hall components on the PCB board can accurately locate and control the stretch out and draw back of the bolt, so that unlocking and locking can be muted. Compared with the traditional electric bolt using solenoid valve structure, when the product enters the locking and unlocking state, there is no need to power the motor continuously, low energy consumption and environmental protection. The lock is equipped with a cylinder which can be used to unlock in case of emergency (comply with fire safety access control standards)

## Parameters

Lock Body	260Lx30Wx53H(mm)
Magnetic Plate	100Lx25Wx3H (mm)
Dimensions of Latchbolt	16(prolongation)*15.8(diameter)(mm)304 stainless steel high strength solid bolt
Signal Output	Door signal(NO/COM);Lock signal(NO/NC/COM)
Voltage	12~24VDC
Current	≤400mA
Time Delay	0/3/6/9sec Adjustable
LED	Light on indicates locked, light off indicates unlocked
Detection Distance	Within8mm
Suitable for	Wooden door, metal door, fireproof door, glass door
Material	304 stainless steel, wire draw finishing
Weight	1.25kg

## Dimensions



## Time Delay

Adjust the delay time for locking automatically  
0/3/6/9 secs.



0.0 SEC



6.0 SEC

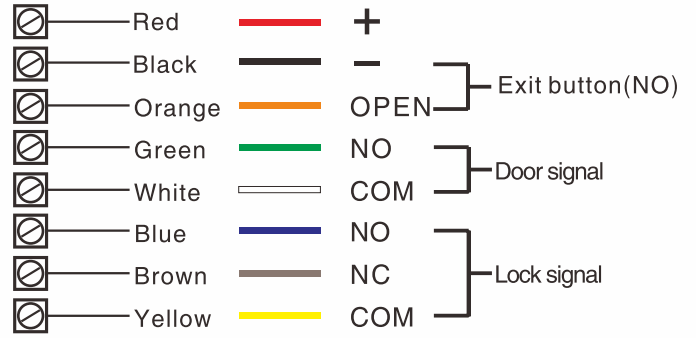


3.0 SEC

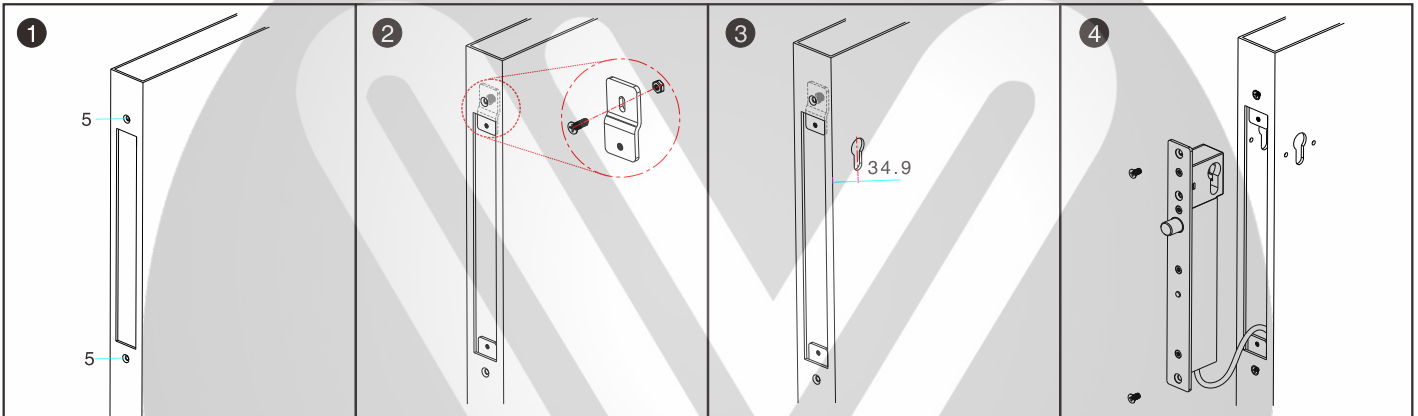


9.0 SEC

## Wiring Diagram



## Installation Steps

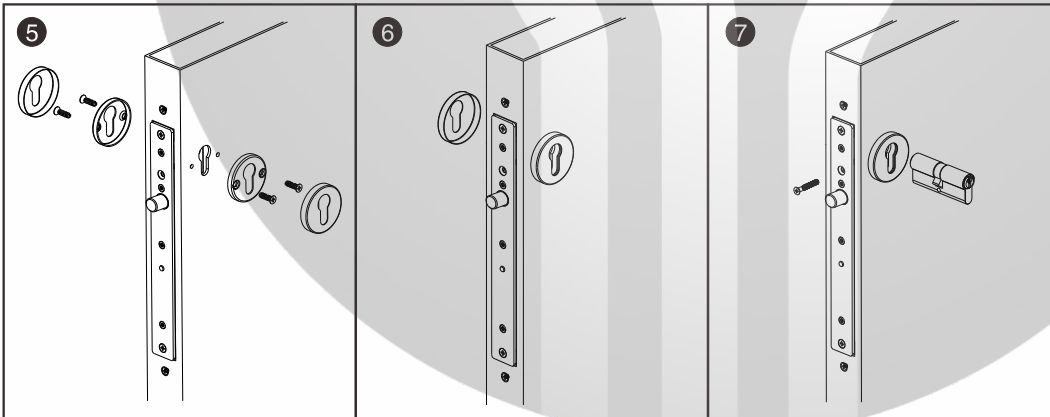


1 Drill and cut our as template indicates

2 Fasten fixing lugs

3 Cut door leaf out for cylinder installation

4 Connect power cable to electric bolt and test it



5 Mount electric bolt and cylinder

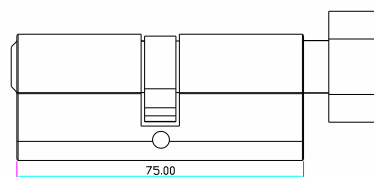
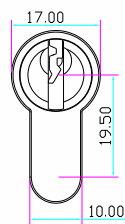
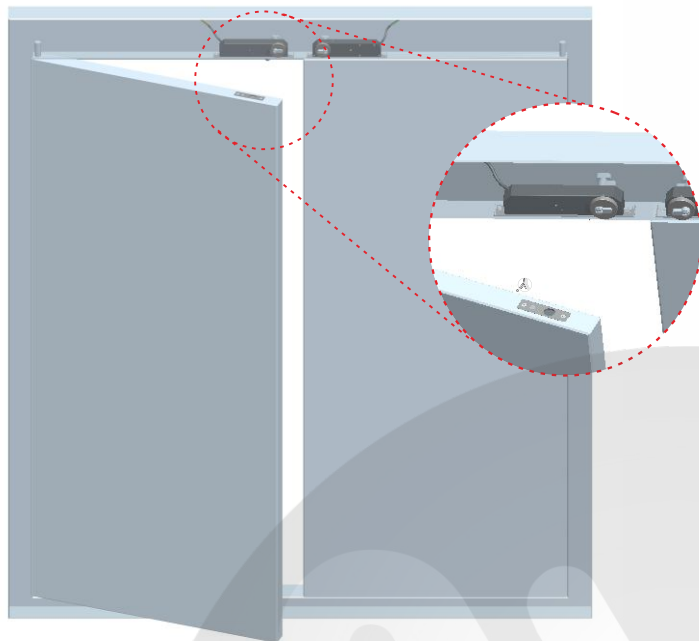
6 Fix cylinder's cover

7 Use long screw to tighten the cylinder

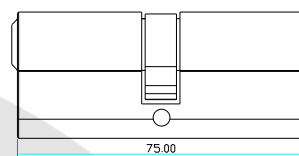
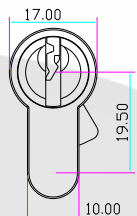
## Installation Diagram

## Optional Accessory

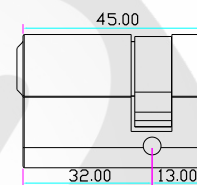
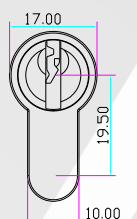
Single side cylinder or both side cylinder, other sizes are available too: 80/90/100/110/120mm.



Single side cylinder with Thumb



Double side cylinder



Single side cylinder

