

YB-600C(LED)

Fail Secure electric bolt with european-type cylinder(Slope bolt)

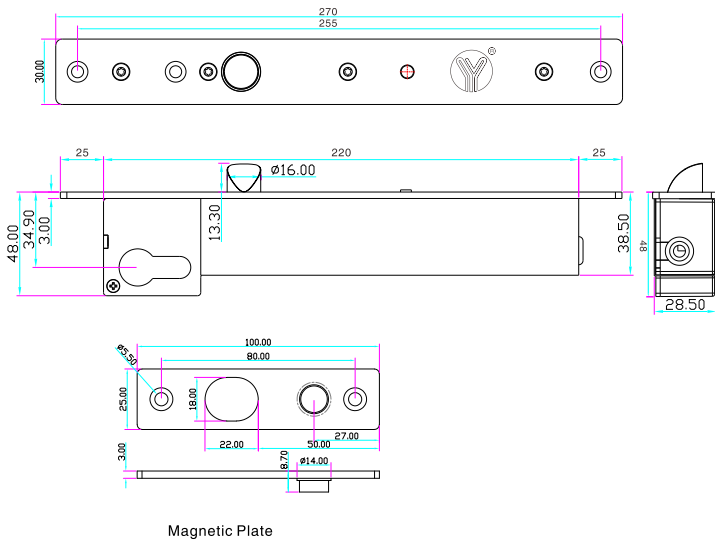


Product overview

YB-600C (LED) is an all-metal construction electric bolt with European-type cylinder and has both electric control and manual control functions. It can work at the temperature of 60 °C or 20 °C below zero based on the all-metal parts. The bolt of the lock is made of 304 stainless steel solid bar by CNC lathe, which can withstand 2000kg holding force. With the multiple designs of durable solenoid valve, special photoelectric control system, ultra-low temperature and power consumption design, vandal resistant circuitry and auto-detective circuitry, YB-600C (LED) is widely used in prisons, military armory, bank, database and other heavy duty doors.

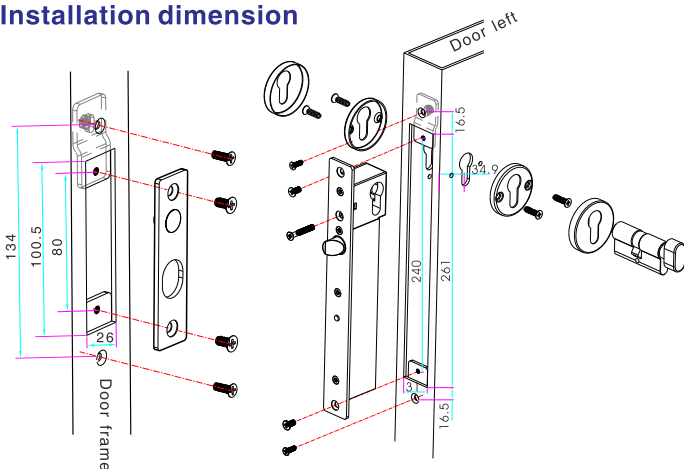
Dimensions

Unit: mm

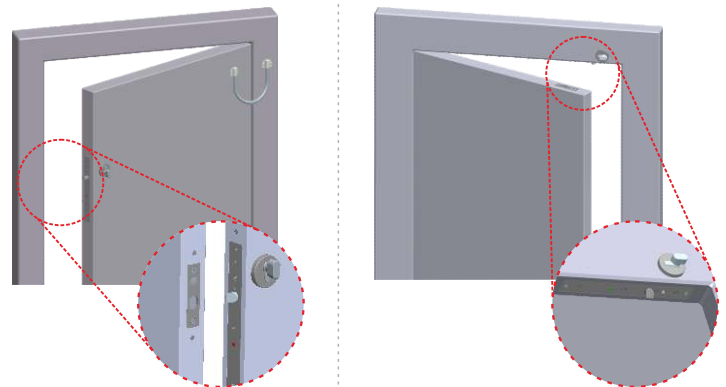


Parameter/Model	YB-600C(LED)
Parameter	Description
Fail secure	Lock when power off
Dimensions	270Lx30Wx48H (mm)
Strike	100Lx25Wx3H(mm)
Bolt	16mmDIA, 304 stainless steel 16mm throw
Voltage	12VDC
Start current	1200mA
Standby current	200mA
Bolt strength	304 stainless steel with polishing finish, 2000kg holding force
Suitable for	Wooden door, Heavy door, metal door
LED	Light on indicates locked; Light off indicates unlocked
Signal output	Lock status output, NO/NC/COM(NO/COM door signal output can be customized)
Induction distance	Within 8mm
Face plate material	304 stainless steel panel with wiredrawing finish
Weight	1.6kg

Installation dimension



Installation diagram



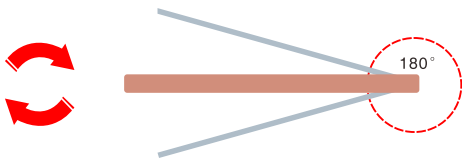
Side View

Vertical View

Shenzhen YLI Electric Lock Co.,Ltd.

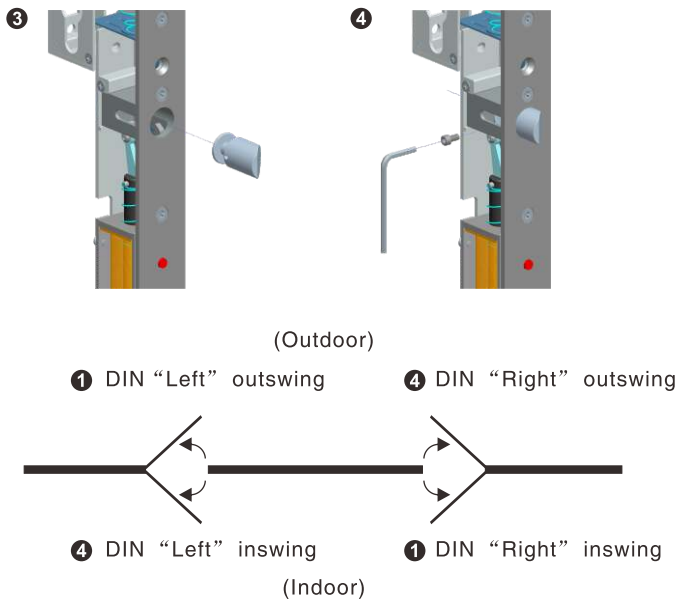
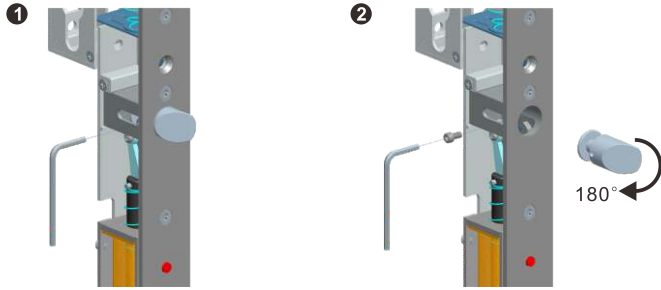
Suitable for double action doors

Electric bolts are specially designed for double action doors. They can also be installed on both inswing doors and outswing doors.



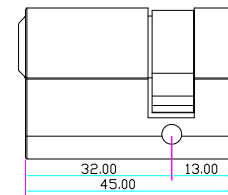
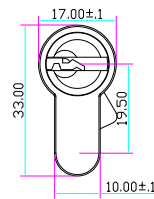
Adjustable Latch bolt

Please adjust the position of the latch bolt according to the door opening direction.

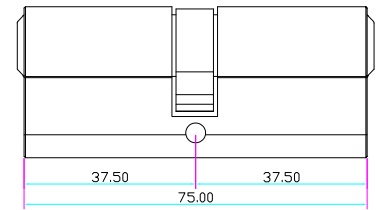
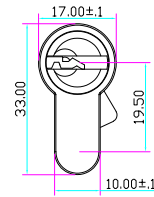


Optional cylinder

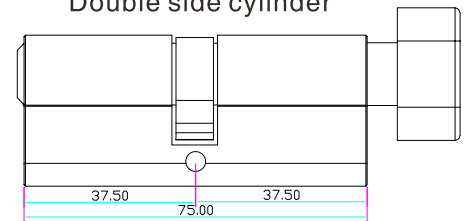
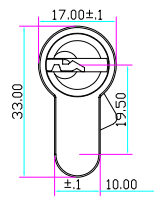
Single side or both-side cylinder is available. Other size of cylinders can be customized, 80/90/100/110/120mm.



Single side cylinder



Double side cylinder

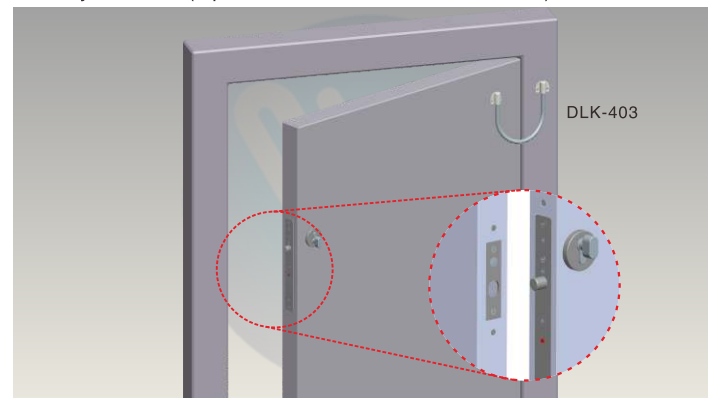


Single side cylinder with Thumb

Specially designed of European-type cylinder with electric control and manual control functions

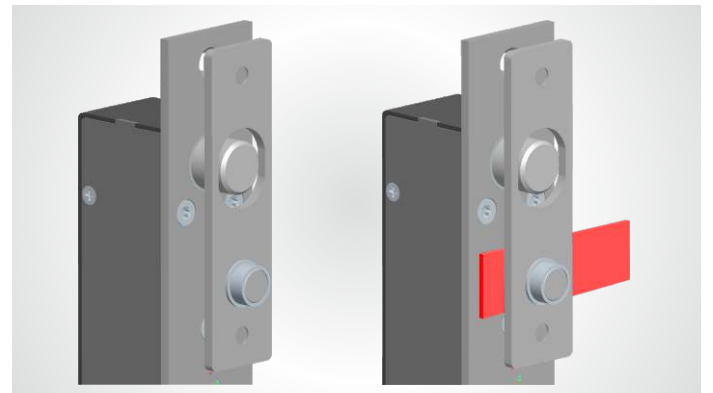
Optional accessory

The door loop is used for protection of extension wiring from damages for security reasons. (Optional models: DLK-401/402/403)



Vandal resistant circuitry

The reed sensor will automatically disconnect when the door is actually closed in order to enhance the security of the lock.



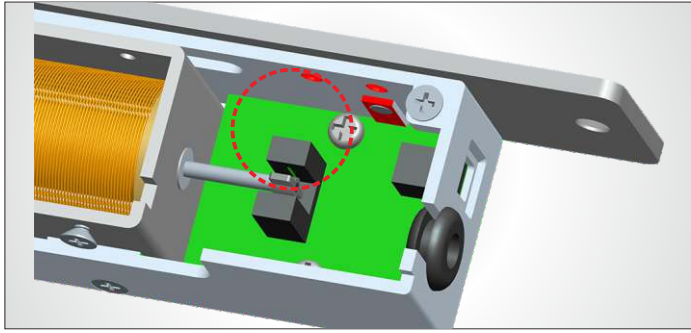
Shenzhen YLI Electric Lock Co.,Ltd.

Room 1605, Block A, Haisong Building, Tairan 9th Road, Futian District, Shenzhen China
 TEL:86-755-83489801/02/03/04/05/06 FAX:86-755-83489807
 Website: www.yli.cn E-mail: yli@yli.cn



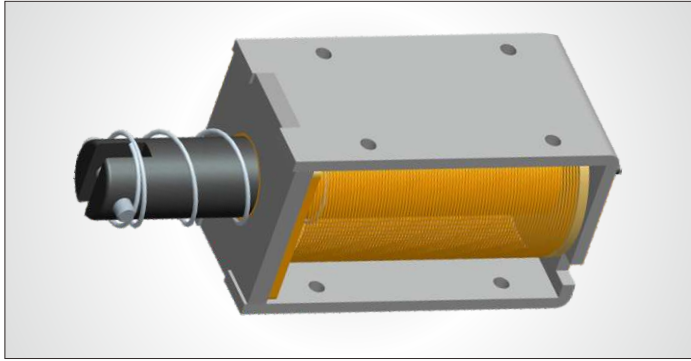
Photoelectric sensor control

Instead of using electric components, we use photoelectric components to make the bolt more stable and durable. at the same time, it can increase the lifetime of the electric bolt.



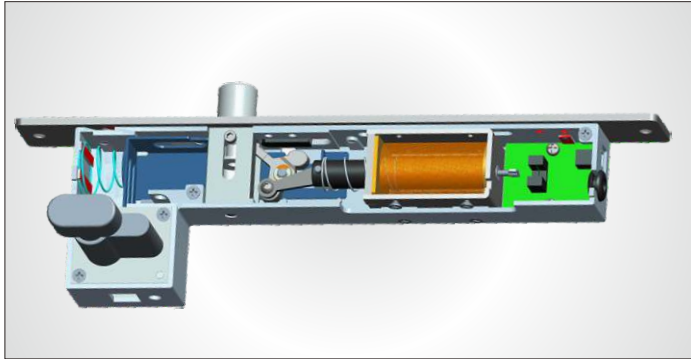
Ultra durable solenoid valve

Tested for over 500,000 times, the specially designed solenoid valve can be used for 5 to 10 years.



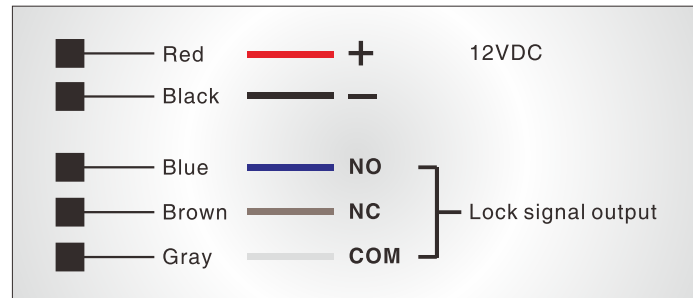
All-metal lock body

The all-metal lock body and components make the lock stronger and more durable, which ensure the lock can work under the harsh environment. (Can order the lock work at the temperature of 60 °C or 40 °C below zero.)



Connecting instructions

With the special auto-detective circuit, we advise you to connect our own open wires to open the door instead of shutting off the power directly.



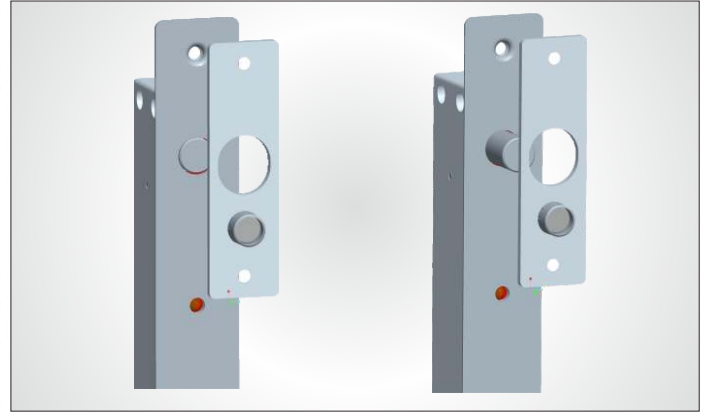
Optional door or lock sensor output

Standard option is a set of NO/NC/COM lock signal output contact. (NO/COM of door signal output contact can be customized, YB-600C (LED)-DS)



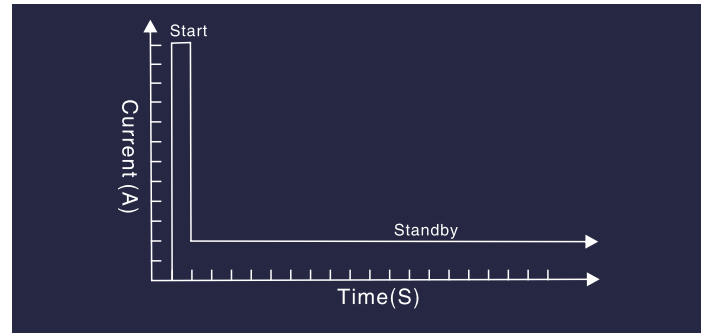
Auto-detective circuitry

This special auto-detective circuit of electric bolt keeps the bolt retracted while the door unlocked or improperly aligned until the door is properly closed.



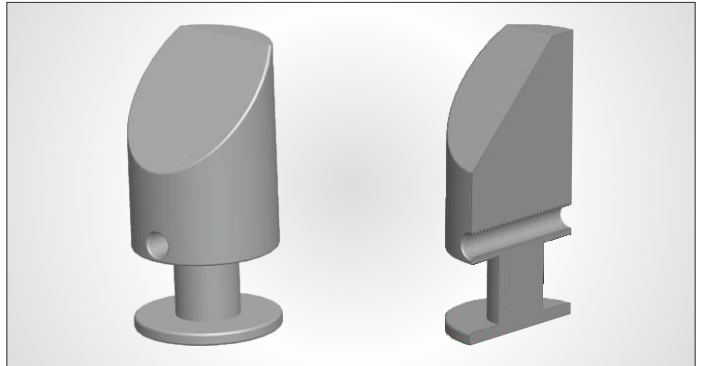
Energy saving design

When the bolt is extended to keep the door locked, it draws only 0.2A in a holding mode down from 1.2A while the bolt is retracted. This design extends the life of the electric bolt.



304 stainless steel solid bolt

With 304 stainless steel solid bolt, the electric bolt has 2000kg holding force. It is stronger and more durable under the harsh environment.



Shenzhen YLI Electric Lock Co.,Ltd.

Room 1605, Block A, Haisong Building, Tairan 9th Road, Futian District, Shenzhen China
 TEL:86-755-83489801/02/03/04/05/06 FAX:86-755-83489807
 Website: www.yli.cn E-mail: yli@yli.cn

