



YLI ELECTRONIC

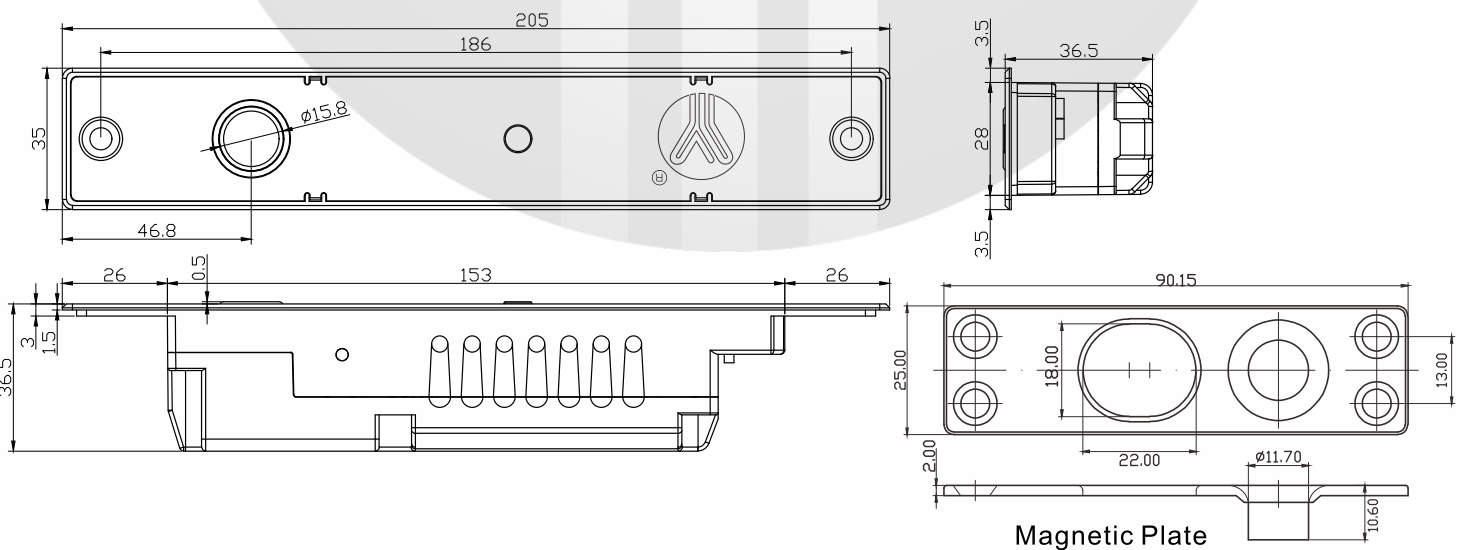


Multi-Functional Electric Bolt with Magnetic Sensor

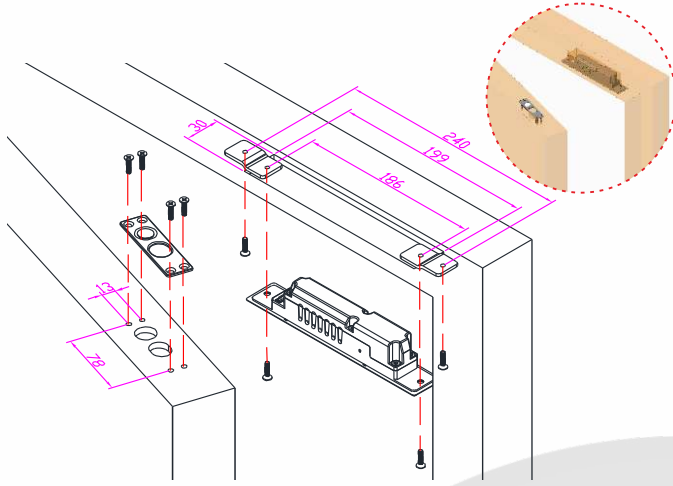
Parameters (Unit:mm)

Model	YB-100N(LED)-2P	YB-100N(LED)-5P	YB-100N(LED)-8P
Feature	Fail Safe		
Face Plate	205Lx35Wx36.5H		
Strike	90Lx25Wx2H		
Dimensions of Cylinder	17mm(prolongation)x15.8mm(diameter)304 stainless steel high strength solid bolt		
Magnetic Valve	50.0000 times		
Voltage	12VDC		12VDC/24VDC(Adjustable)
Current	Start 12V/ 980mA(+10%), Standby 12V/ 180mA Start 24V/ 650mA(+10%), Standby 24V/ 120mA		
Time Delay	/	0/3/6/9 sec adjustable	0/3/6/9 sec adjustable
Signal Output	/	Door Status Signal:NO, COM	Door Status Signal:NO, COM Lock Status Signal:NO, NC, COM
LED	Green for unlocking while red for locking		
Induction Distance	≤8mm		
Weight	0.55kg		

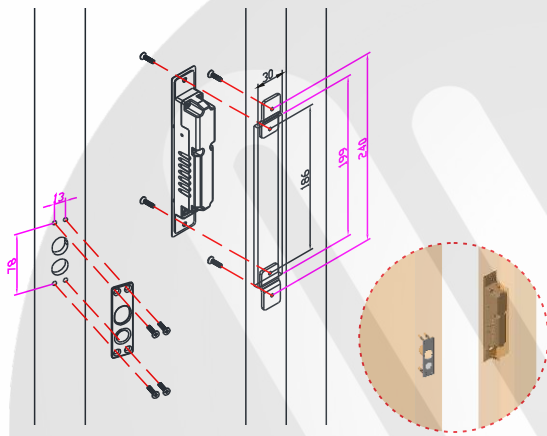
Dimensions



Installation



Installation on top for hollow door



Side installation for hollow door

Wiring

2 Wire Contact

- Red — +
- Black — -

5 Wire Contact

- Red — +
- Black — -
- Orange — OPEN } Exit button(NO)
- Green — NO } Door Status
- White — COM } Signal Output

8 Wire Contact

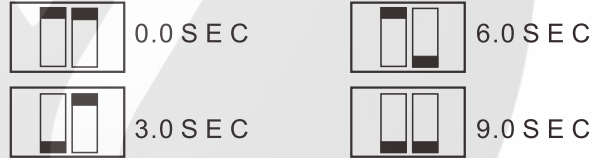
- Red — +
- Black — -
- Orange — OPEN } Exit button(NO)
- Green — NO } Door Status
- White — COM } Signal Output
- Brown — NC } Lock Status
- Grey — COM } Signal Output
- Blue — NO } Lock Status

Input Setting



Time Delay Setting

Relock Time Delay Setting



Wiring Diagram

