



YLI ELECTRONIC

Surface-mounted Electric Bolt W/Cylinder

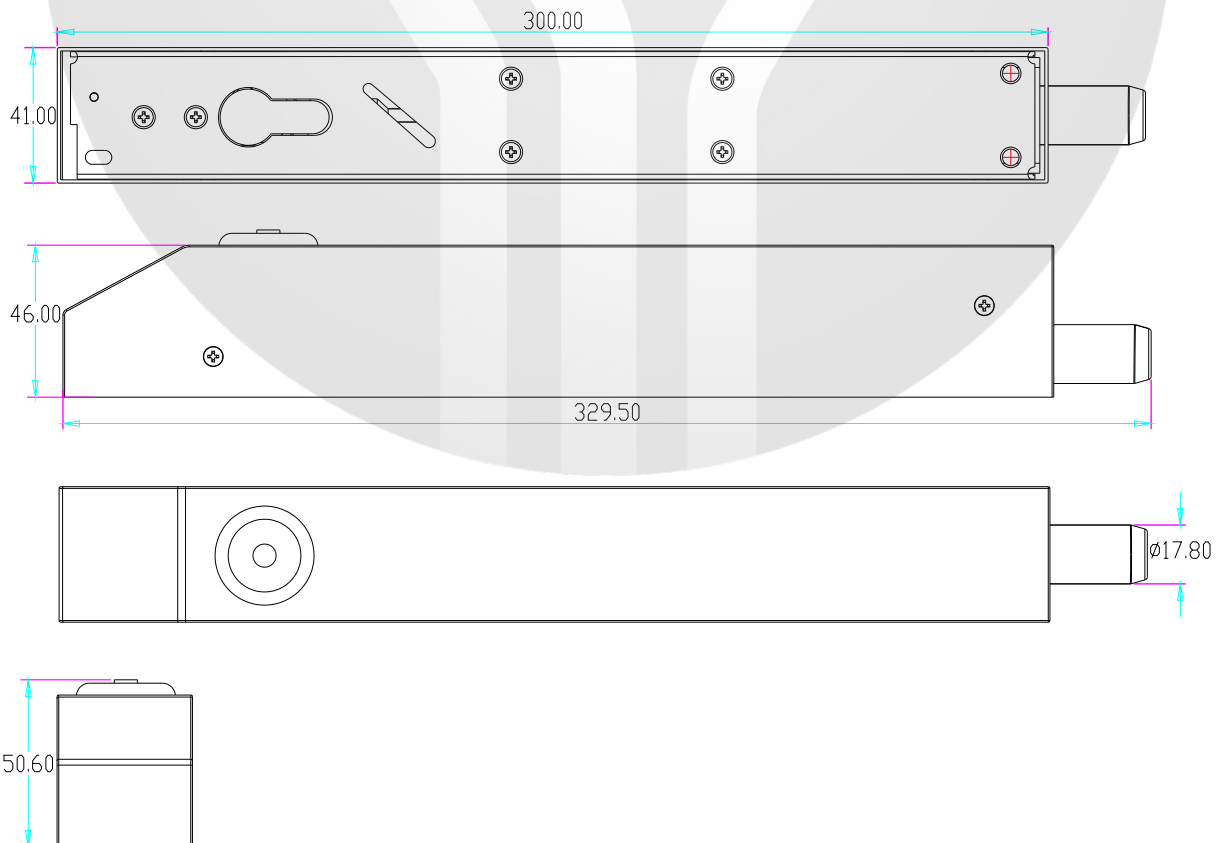
Model:YB-900



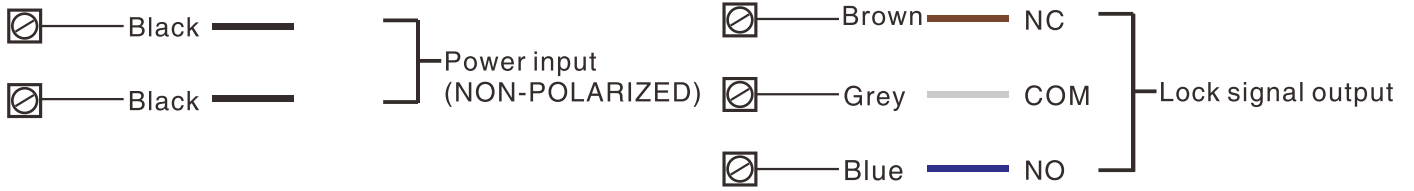
Parameters

Lock Body	329.5Lx41Wx46H(mm)
Bolt	29.5(prolongation)*17.8(diameter)(mm)
Signal Output	Lock signal: NC/NO/COM
Voltage	DC12V or DC24V (need order)
Current	Start 12V/5.0A; Standby 12V/0.6A; Start 24V/3.0A; Standby 24V/0.35A
Feature	Fail secure
Bolt strength	304 stainless steel, 2000kg holding force
Installation	Can be installed horizontally or downward
Waterproof level	IP-55
Optional power	YP-904-5
Suitable for	Steel gates; Heavy door
Material	304 stainless steel
Weight	1.8kg

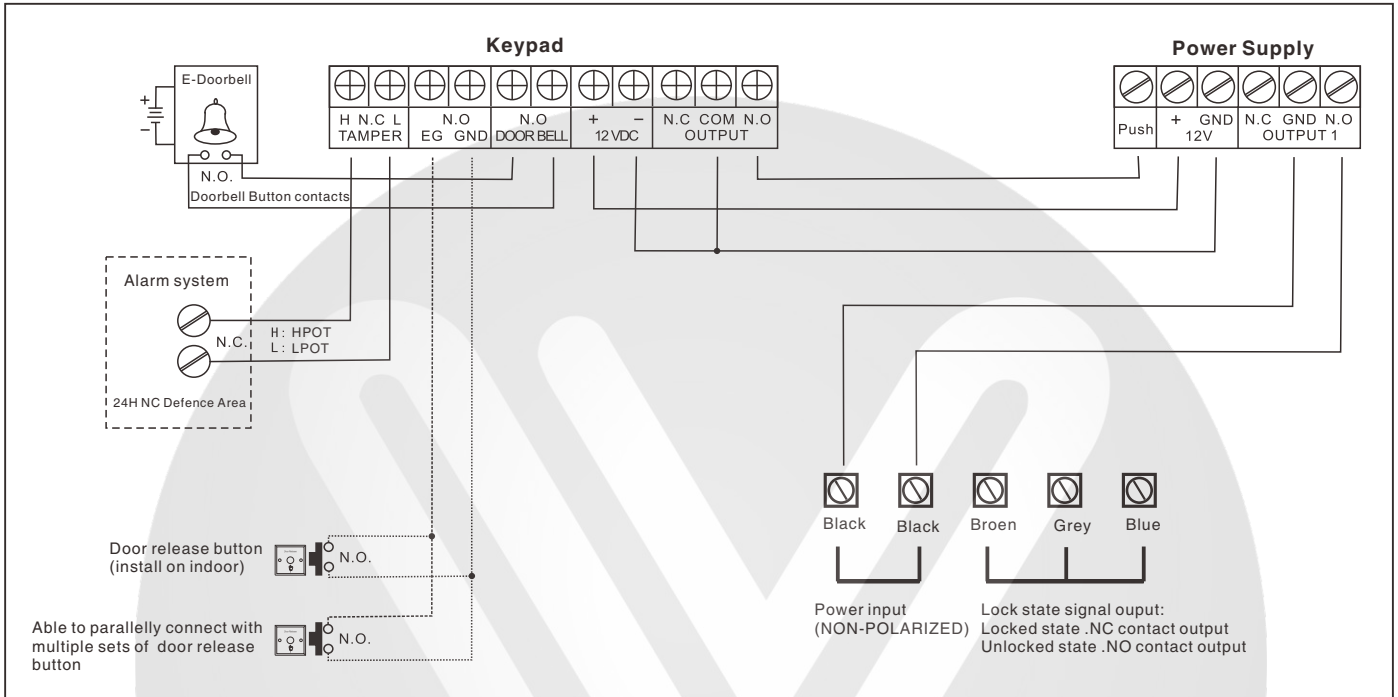
Dimensions



Wiring Diagram



Installation Steps



Installation

