



YLI ELECTRONIC

Fail Safe(Secure)Electric Bolt W/Signal, Time & Open Wire

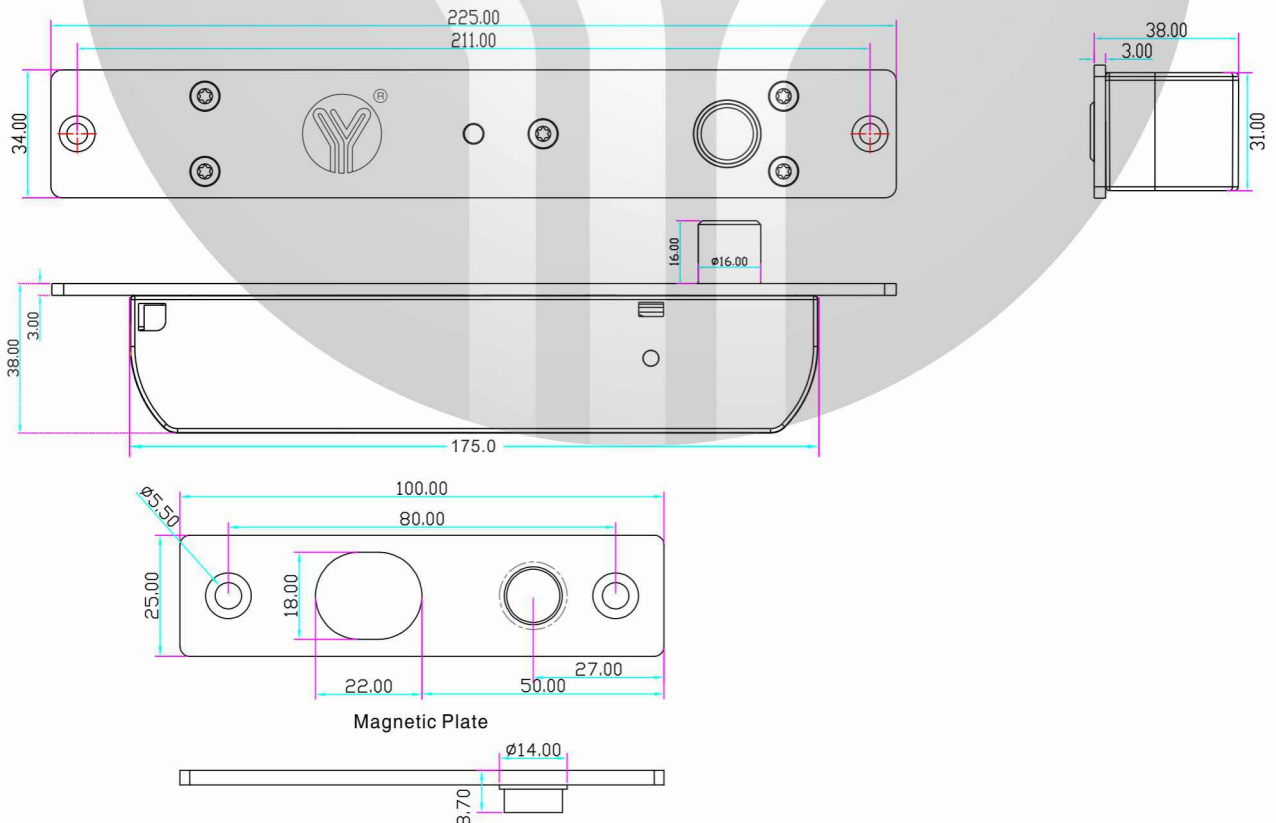


Model: YB-700A/B(LED)

Parameters

Lock Body	225Lx34Wx38H(mm)
Magnetic Plate	100Lx25Wx3H(mm)
Bolt	16(prolongation)*16(diameter)(mm)
Signal Output	Lock signal: NO/NC/COM Door signal: NO/COM
Time Delay	0/3/6/9 sec
Voltage	12VDC±10%
Current	Start 1200mA, Standby 200mA
Feature	Fail Safe[YB-700A(LED)], Fail Secure[YB-700B(LED)]
LED	Light on indicates locked, light off indicates unlocked
Detection Distance	Within 8mm
Suitable for	Wooden door, meta door, fireproof door, glass door
Material	304 stainless steel, wire draw finishing
Weight	1.0 kg

Dimensions

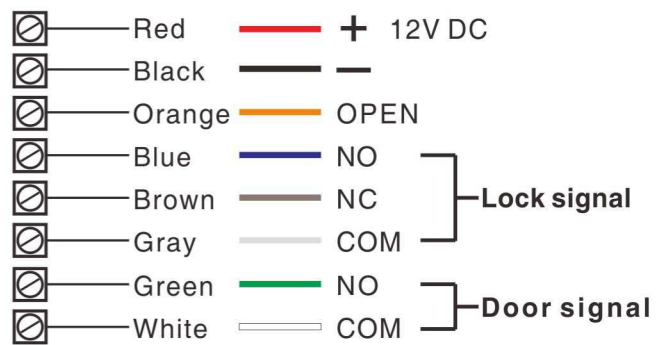


Time Delay

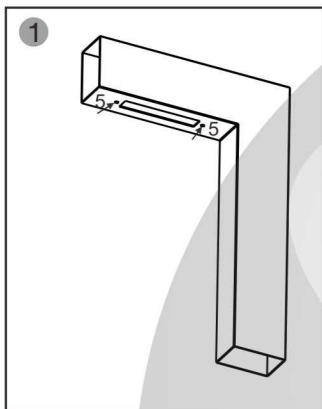
Adjust the delay time for locking automatically 0/3/6/9 secs.



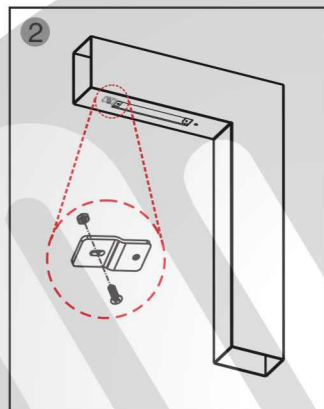
Wiring Diagram



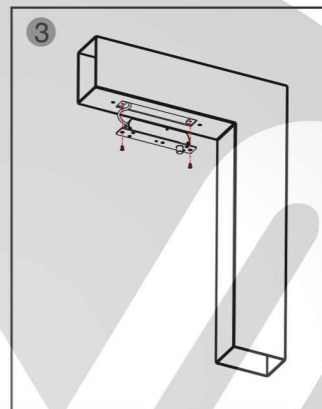
Installation Steps



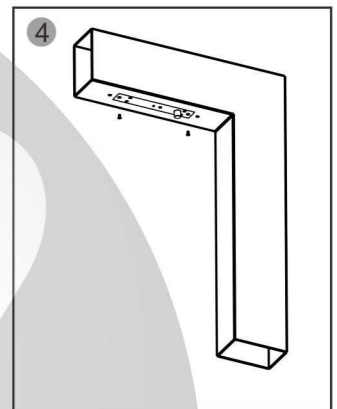
1 Incise the location of face plate and magnetic plate in the door leaf and door frame according to the mark of lore size



2 Mount extended slice



3 Connect power supply line and test



4 Tighten the screws

Installation Schematic

