



YLI ELECTRONIC

Fail Secure Electric Bolt W/Cylinder

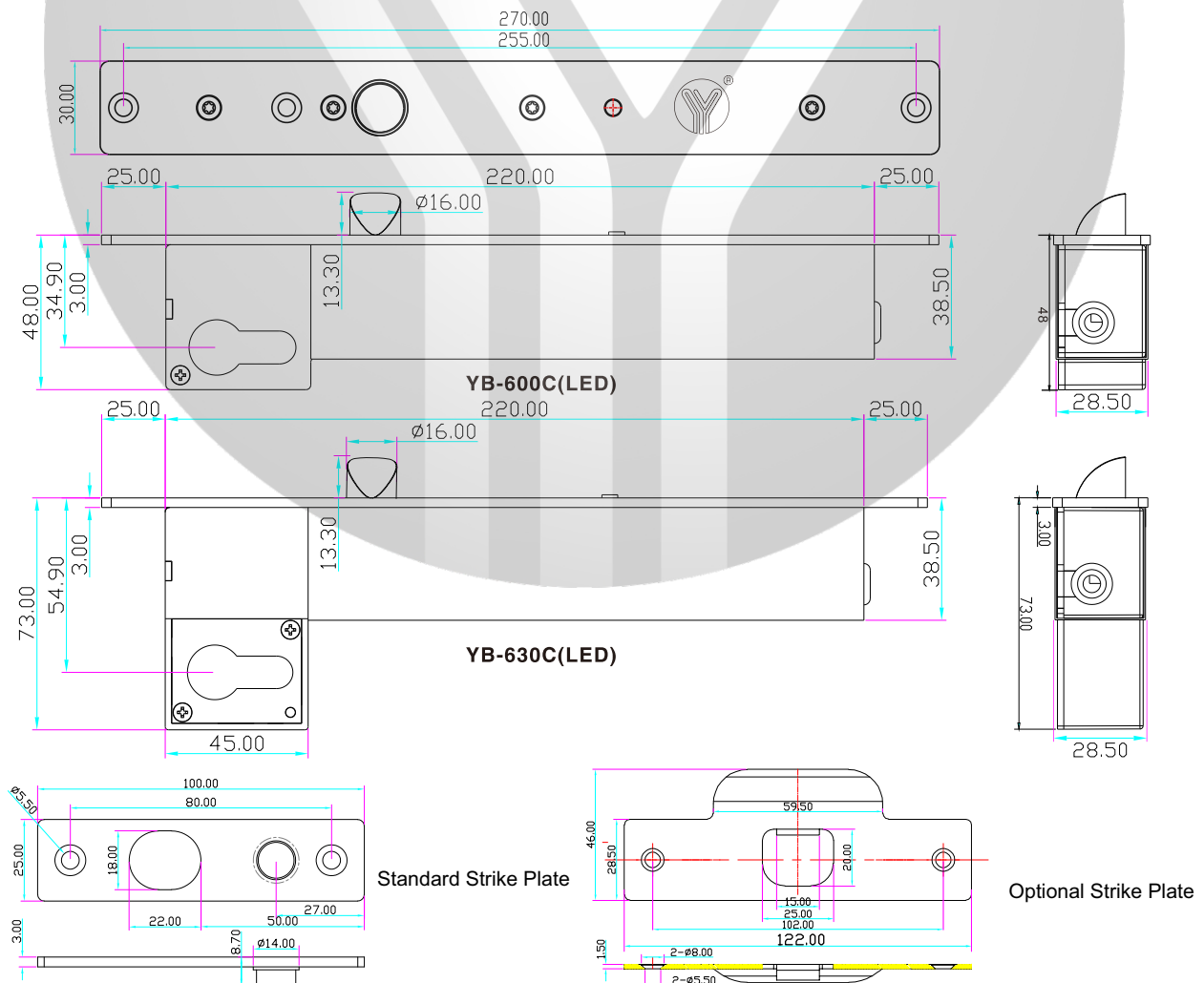


Model:YB-600C(LED)/YB-630C(LED)

Parameters

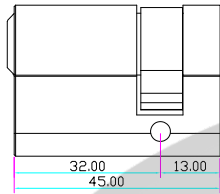
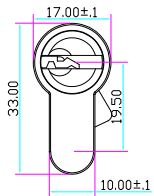
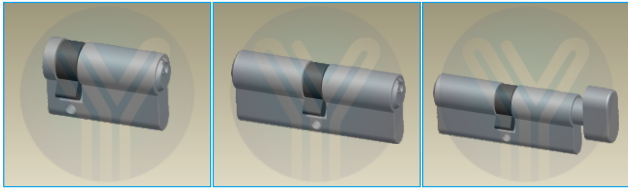
Lock Body	270Lx30Wx48H(mm)[YB-600C(LED)] 270Lx30Wx73H(mm)[YB-630C(LED)]
Magnetic Plate	122Lx46Wx1.5H(mm)
Bolt	13.3(prolongation)*16(diameter)(mm)
Signal Output	Lock signal NO/NC/COM(need order door signal)
Voltage	DC12V(Default)/DC24V(Order)
Current	12V/1200mA; 24V/600mA
Feature	Fail Secure
LED	Light on indicates unlocked, light off indicates locked
Suitable for	Wooden door, metal door, fireproof door, glass door
Material	304 stainless steel, wire draw finishing
Weight	1.6kg/1.8kg

Dimensions

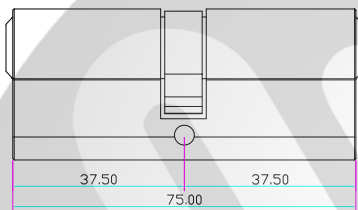
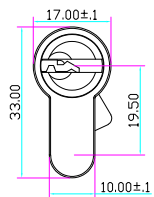


Optional Accessory

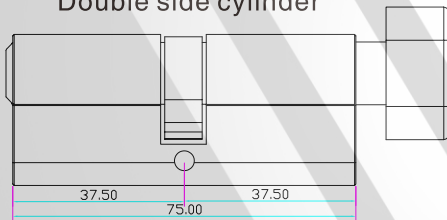
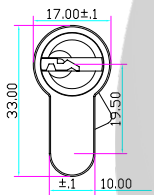
Single side cylinder or both side cylinder, other sizes are available too: 80/90/100/110/120mm.



Single side cylinder



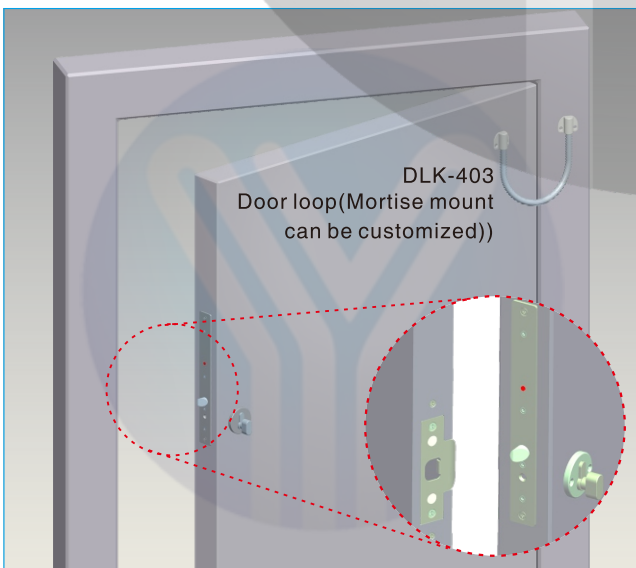
Double side cylinder



Single side cylinder with Thumb

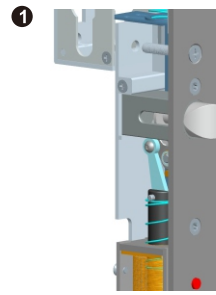
Optional accessory

The Door Loop is used for protection of extension wiring from damages for security reasons.

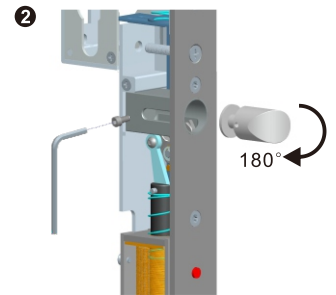


Adjustable Latch bolt

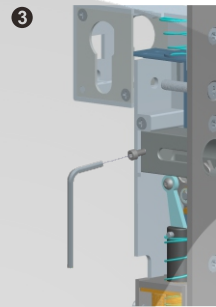
Please adjust the position of the latch bolt according to the door opening direction.



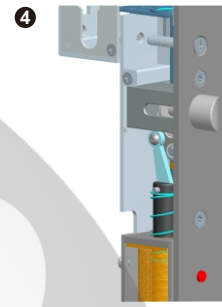
Default bolt direction



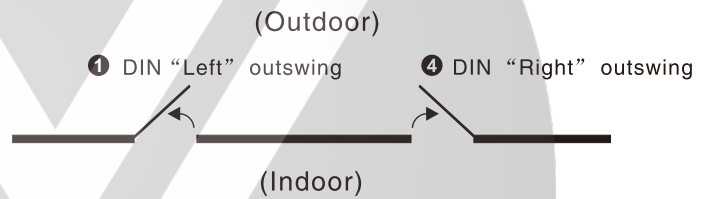
Remove the screw and turn the bolt 180 degrees



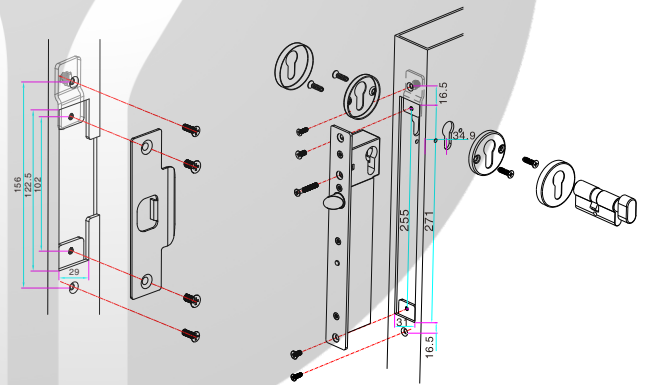
Twist screws



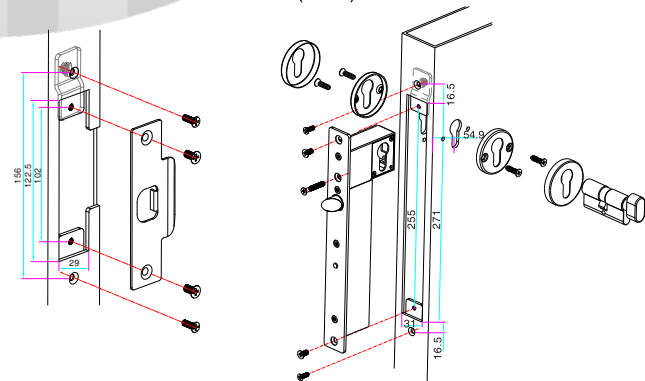
Adjusted bolt direction



Installation Schematic

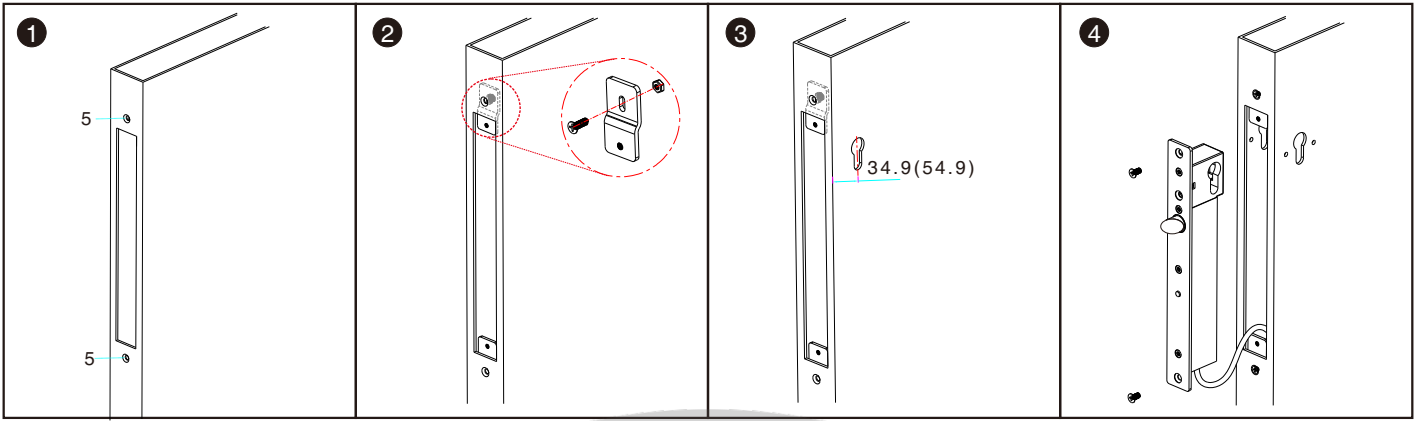


YB-600C(LED)



YB-630C(LED)

Installation steps

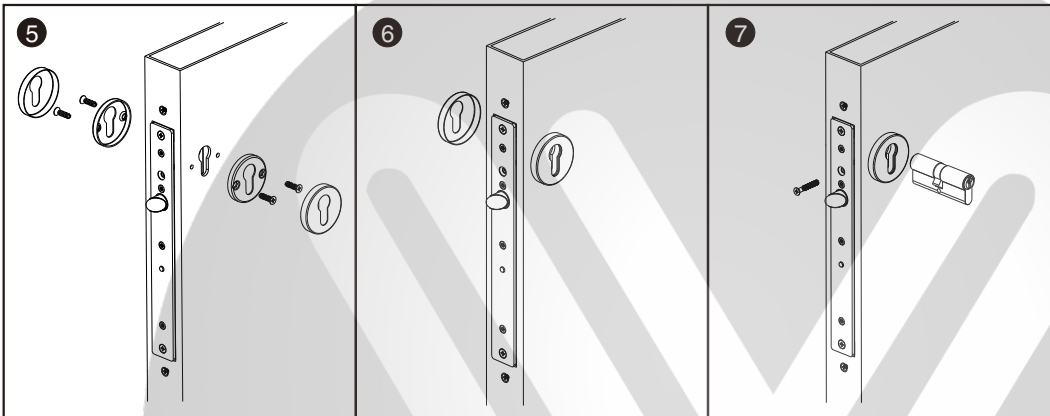


Drill and cut out as template indicates

Fasten fixing lugs

Cut door leaf out for cylinder installation

Connect power cable to electric bolt and test it



Mount electric bolt and cylinder

Fix cylinder's cover

Use long screw to tighten the cylinder

Wiring Diagram

