



YLI ELECTRONIC



Single Pole Resettable Call Point with LED

Model: CPK-861R/G-2(LED)

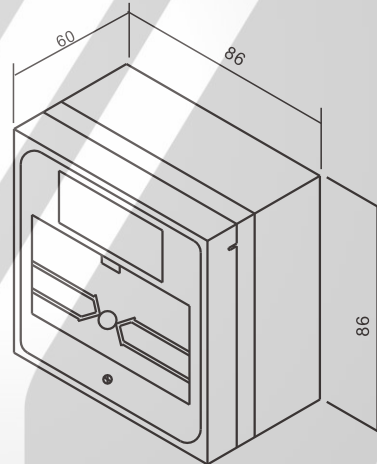
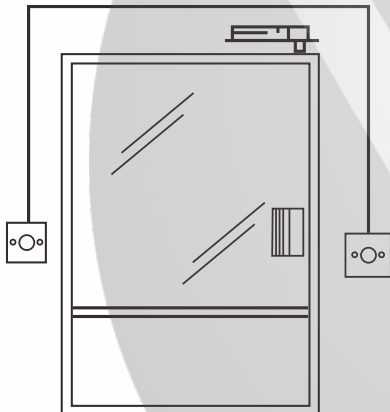
Specification

- Dimensions: 86Lx86Wx60H(mm)
- Switching capacity: AC125V/250V 0.5A
- Switch status: NC output
- The Cover of the button: Prevent the false press on the button
- Material: ABS fireproof material
- Colors: Red, Green, Yellow, Blue and White (Optional)
- Languages: Languages on the plastic cover can be customized by the Customer (Chinese/English)
- Weight: 0.2kg

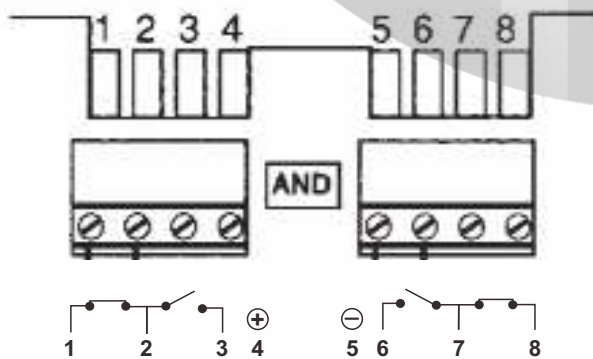
Wiring Diagram

INSTALLATION FOR REFERENCE

1. Each Fire zone should install at least one manual call point. And the distance between the two manual call points should be less than 30m. The manual call point should be installed at the entrance or exit of the public places
2. The manual call point should be installed at the distinguishing places or the places which is easier to operate, When it is installed on the wall, the distance between the floor and its bottom is better kept within 1.3-1.5m with the distinguishing mark.



Installation



Connection Description: "⊕" Positive power ;
"⊖" Negative power.

Working voltage 9-24V, when it is connected the voltage, the red light is off but the green light flashes which is the normal working condition. when you press the plastic cover, the red light is on but the green light is off which means it alarms. The normal switch status is NO(NC).

