



YLI ELECTRONIC

# Break Glass Fire Emergency Exit Release

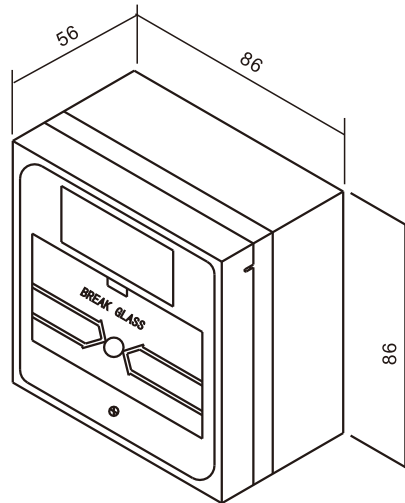
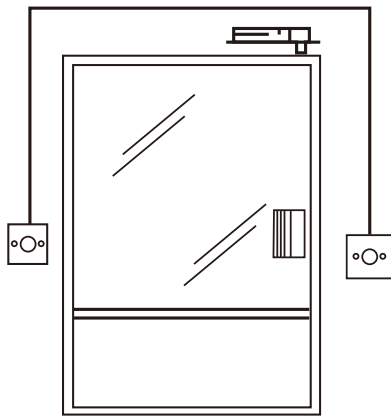
## Model: CPK-861G/R/Y/W-2



### Specification

- Dimensions: 86Lx86Wx56H(mm)
- Current Rating: 3A@36VDC Max
- Suitable for Door: Exit Door, Emergency Door
- Operating temp: 10~+55°C(14-131F)
- Material Selection: Fireproof Material, Sandblast Finished
- Standard Structure: Fireproof Material, Easy to install.
- Output Contact: Double signal NO/NC/COM
- Aptional Accessories: Glass, Cover
- Operating Humidity: 0-95% (relative humidity)
- Color: A.green B.orange C.red D.white
- Weight: 0.2kg

### Wiring Diagram



### Installation

