



YLI ELECTRONIC

Call point(resettable switch)

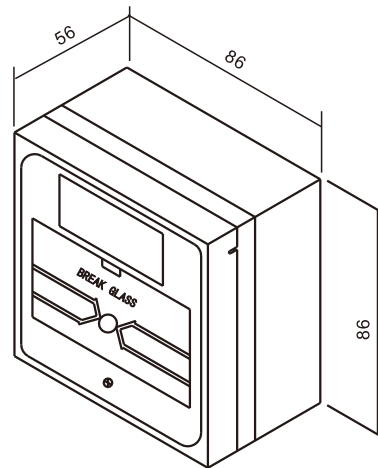
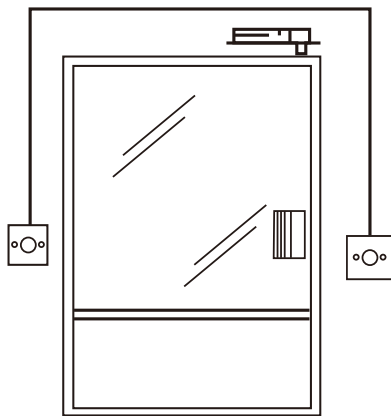
Model: CPK-861G/R/Y/W-1



Specification

- Dimensions: 86Lx86Wx56H(mm)
- Current Rating: 3A@36VDC Max
- Suitable for Door: Exit Door, Emergence Door
- Operating temp: 10~+55°C(14-131F)
- Material Selection: Fireproof Material, Sandblast Finished
- Weight: 0.2kg
- Standard Structure: Fireproof Material, Easy to install.
- Output Contact: 1. COM 2. NC 3. NO
- Aptional Accessories: Cover
- Operating Humidity: 0-95% (relative humidity)
- Color : A(Green), B(Orange),C(Red),D(White)

Wiring Diagram



Installation

