



YLI ELECTRONIC



# Single Pole Resetable Call Point with LED

## Model: CPK-861R-1(LED)

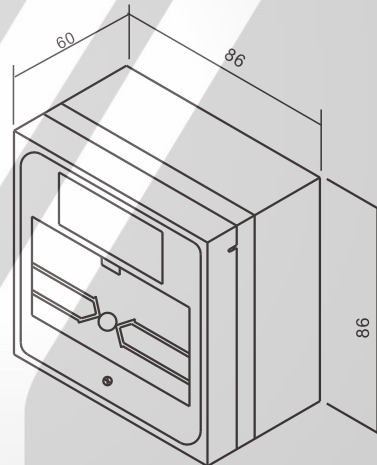
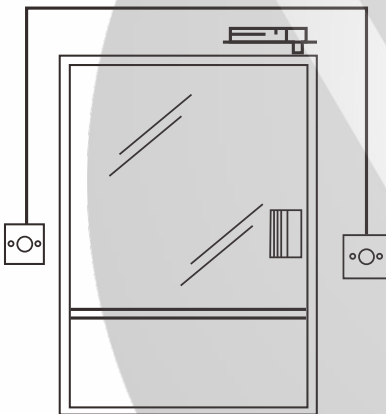
### Specification

- Dimensions: 86Lx86Wx60H(mm)
- Operating Voltage: 9V/24V
- Operating current:  $\leq 1$
- Alarming current:  $9V \leq 15; 24V \leq 40$
- Operating temperature:  $-10 \sim +50^{\circ}\text{C}$
- Protection flip: avoid mis-press(option)
- Material: Fireproof ABS
- Color: red,green,yellow,blue,white(optional)
- Weight: 0.2kg

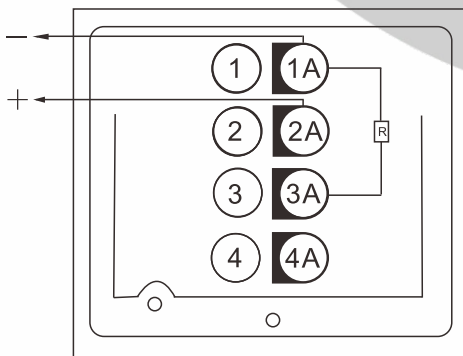
### Wiring Diagram

#### INSTALLATION FOR REFERENCE

1. Every alarm Zone must install at least one piece at the entrance or exit place and around less than 30 meters far.
2. Install in obvious and convenient place, about 1.3-1.5 meters from the floor on the wall.



### Installation



Connection Description: "⊕" Positive power ;  
"⊖" Negative power.

Double light: Operating Voltage 9V~24V, according to the connection diagram, Red LED without lighting and Green LED flash means in the normal work, break glass/press ABS panel, RED LED always lighting and Green LED no lighting means in the state of alarm.

