



YLI ELECTRONIC

Fire Alarm Call Point

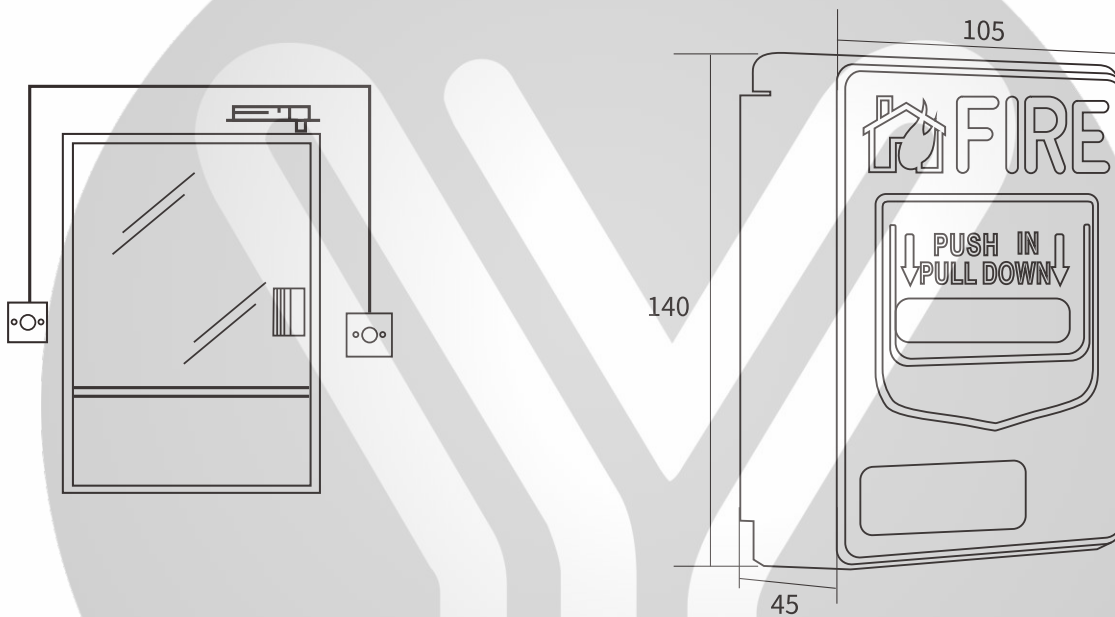
Model: CPK-866R



Specification

- Dimensions: 140Lx105Wx45H(mm)
- Alarm Current: 45mA @ 24VDC
- Operating Humidity Range: 10% to 93% Relative Humidity , Non-condensing
- Operating Temperature Range: -10°C-50°C (14° F to 122° F)
- Material: ABS Fireproof material
- Weight: 0.22kg

Wiring Diagram



Install and wiring diagram

