



YLI ELECTRONIC



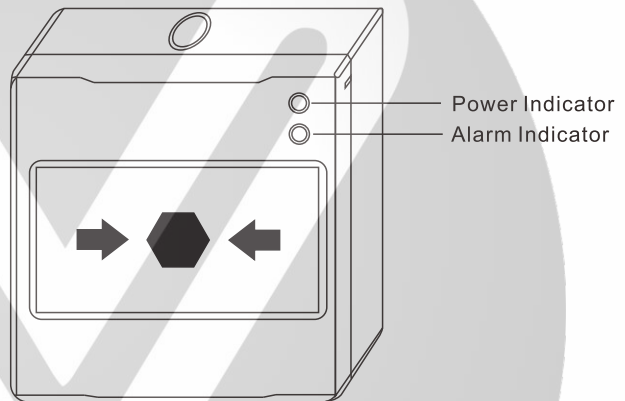
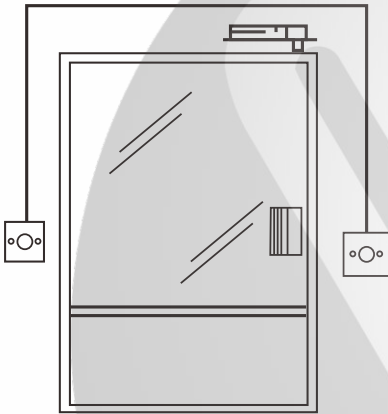
Resetable Call Point with LED

Model: CPK-864R(LED)

Specification

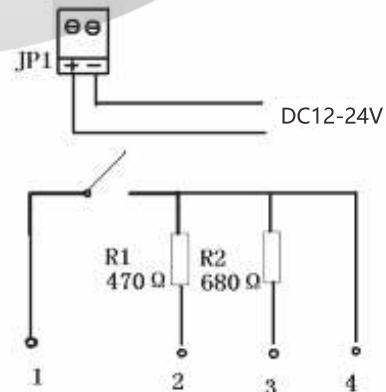
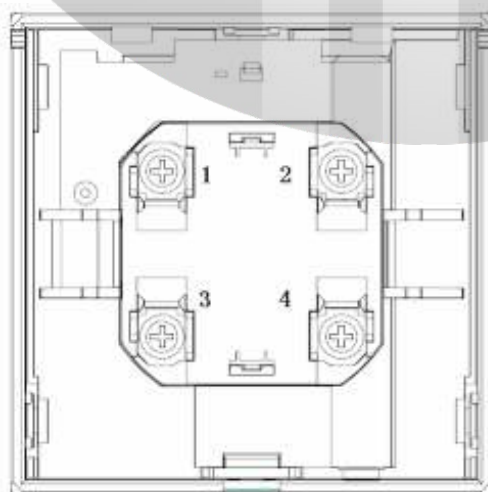
- Dimensions: 86Lx86Wx50H(mm)
- Rated voltage: 12-24VDC
- Standby current: $\leq 330\mu\text{A}$ (DC24V)
- Alarm Current: $\leq 35\text{mA}$ (DC24V)
- Power Indicator: Green LED
- Alarm Indicator: Red LED
- NO/NC: Optional
- Working temperature: $-10^{\circ}\text{C} \sim +55^{\circ}\text{C}$ max 95% .
- Material Selection: ABS, Sandblast Finished
- Weight: 0.2kg

Dimension



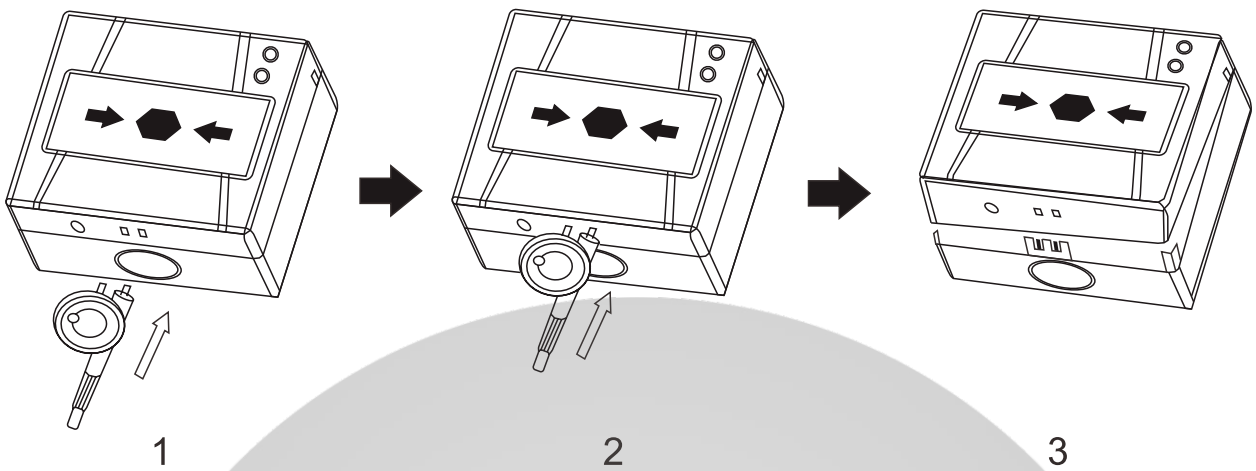
- It should be installed in the obvious and easily operated place.
- The distance between the manual and the floor should be 1.3m-1.5m.

Products wiring



Installation steps

Unlock method



Activation test and reset

