



YLI ELECTRONIC



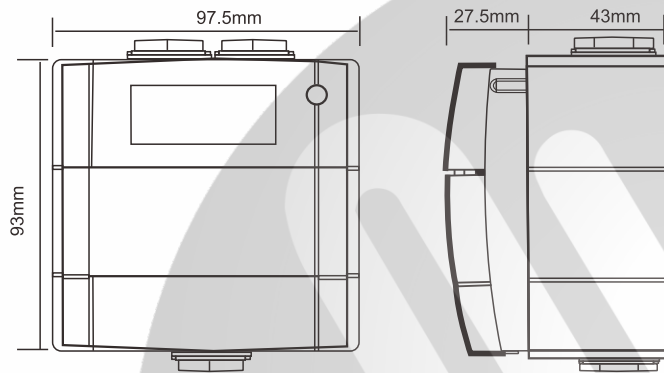
Waterproof Resetable Call Point

Model: CPK-865G-WP

Specification

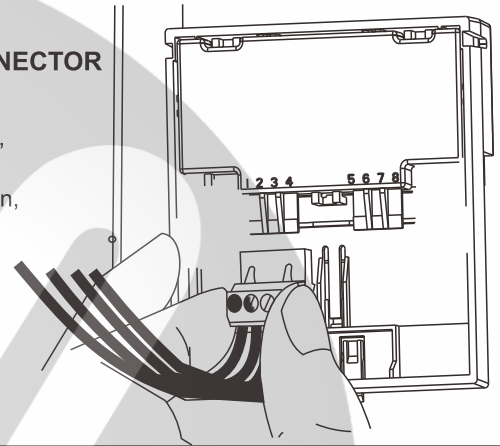
- Dimensions: 97Lx93Wx70.5H(mm)
- Power supply: 30VDC Max
- Operation current: 2A Max
- Working Temperature: -25°C -70°C
- Materials: Fireproof ABS
- Waterproof Level: IP-67
- Weight: 0.35kg

Dimension



PUSH FIT CONNECTOR

After wiring the terminal connector, plug into the appropriate position, see connection details (left).



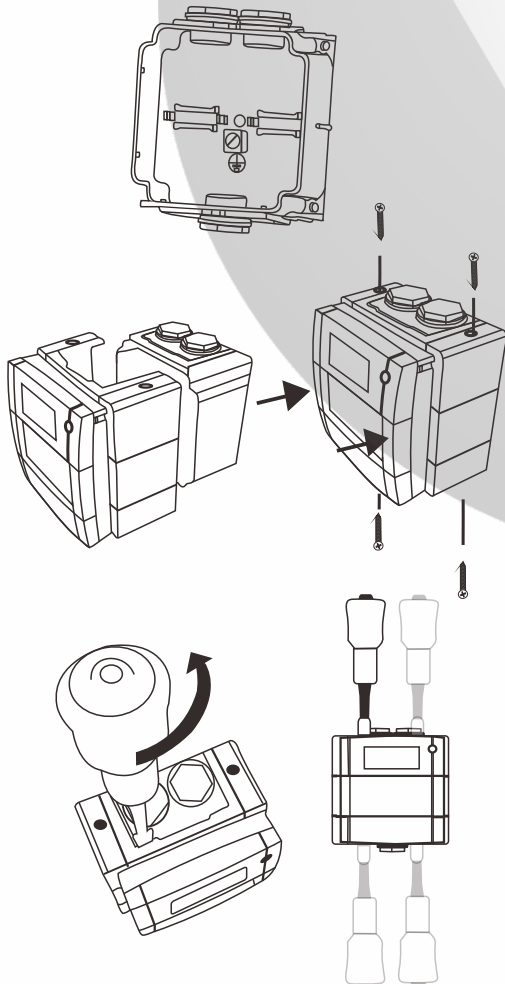
Products wiring

Wall Mounting of Back Box

Mount the back box to a suitably flat surface using the three fixing holes and the screws provided in the installation pack. The cable entry holes should be in the vertical plane. The back box can be mounted with either the single or the double entry holes at the top.

Fitting the MCP Cover to the back box

Plug the 4 way terminal connector onto the appropriate position as shown. Ensure that the O-ring is correctly seated in the channel on the rear of the cover. Place the cover squarely over the back box and carefully push the cover until the locating clips have engaged. Do not use excessive force. It is recommended that the 4 cover fixing screws are used to lock the cover into place.



MCP Cover removal

To remove the cover, undo and remove the 4 Cover fixing screws. Place the edge of a large flat bladed screwdriver into the slot between the Cover and back box as shown in below and gently twist until the latches are disengaged. Pull cover away from back box.

CONNECTION DETAILS	MCP
OR	

Installation steps

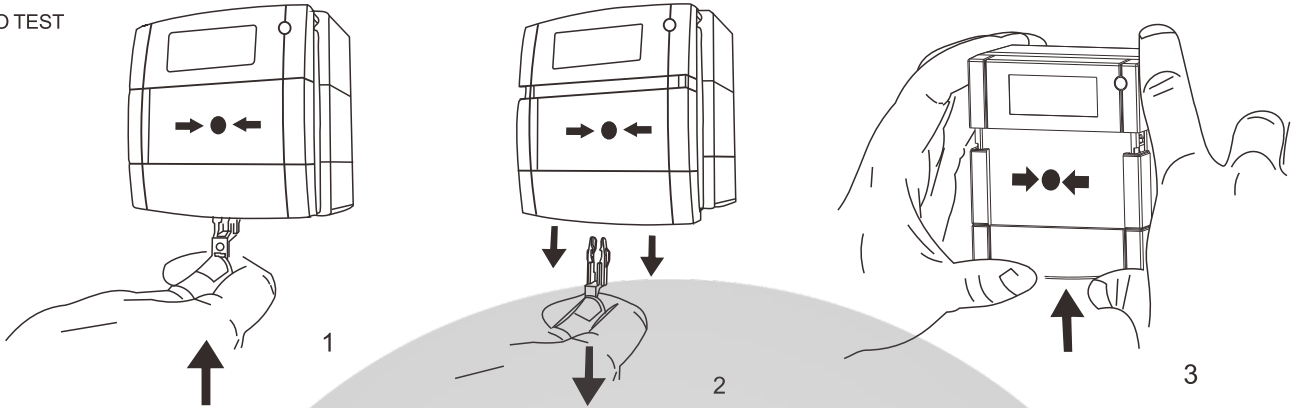
Important Notes; -

Please do not over tighten fixing screws.

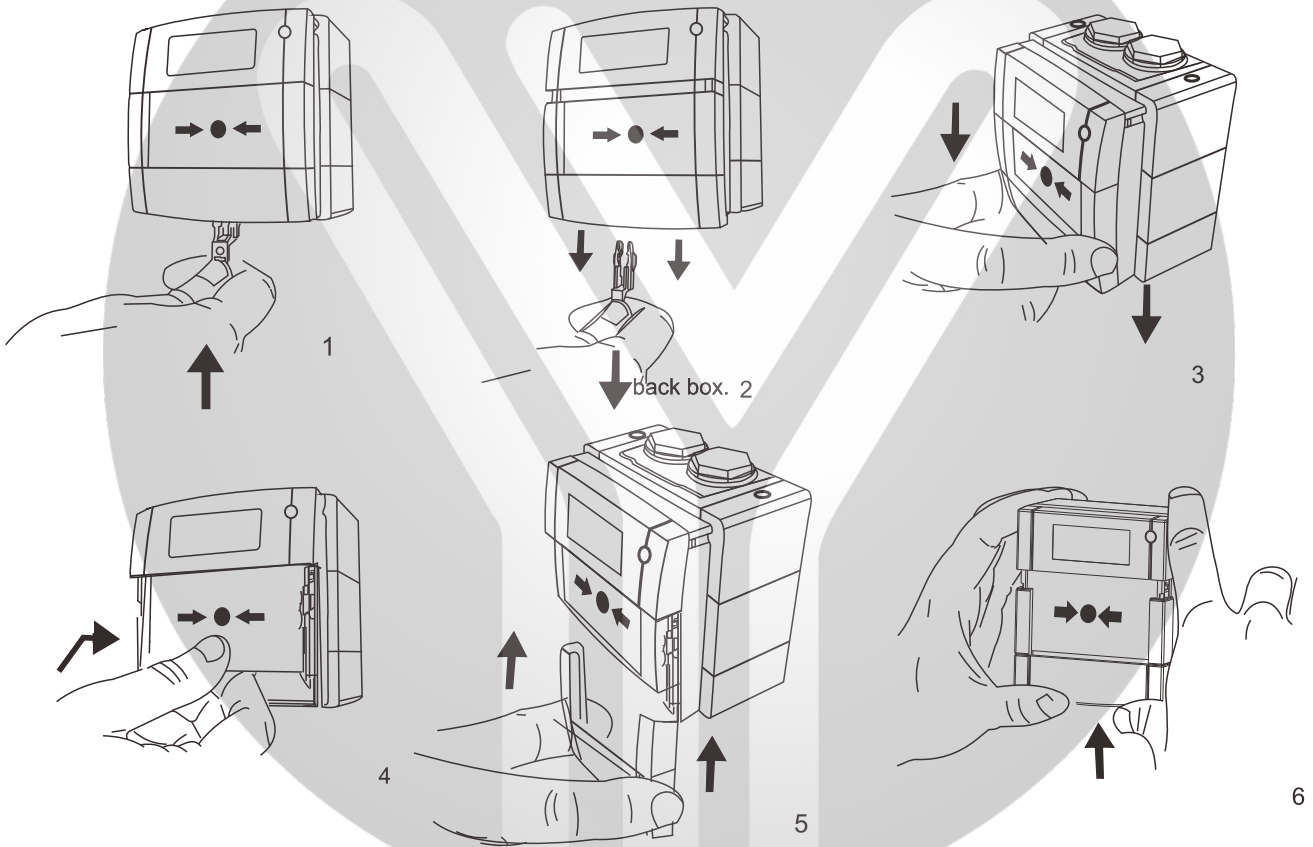
The use of lubricants, cleaning solvents or petroleum based products should be avoided.

The O-ring should be replaced when refitting or replacing the Waterproof Cover.

TO TEST



TO REPLACE GLASS RESETTABLE ELEMENT



Installation

The integral back box has three 20mm diameter threaded holes. Two hole stoppers are provided for use as required. The cable entry holes of the back box must not be subjected to stress by the cable or conduit. The use of sealant such as Loctite product 5331 is recommended.

Wiring

Connection to the MCP is made via the 4 way terminal connector as shown overleaf. Each terminal will accommodate a conductor of 2.5mm.

Earthing

An Earth Continuity Terminal is situated in the rear of the back box. This is designed to accommodate 2 conductors of up to 2.5mm. An earthing plate is provided for continuity of metal conduits. This must be placed behind the back box prior to fixing the box to the wall.