



YLI ELECTRONIC

Door Release Button (Stainless steel)

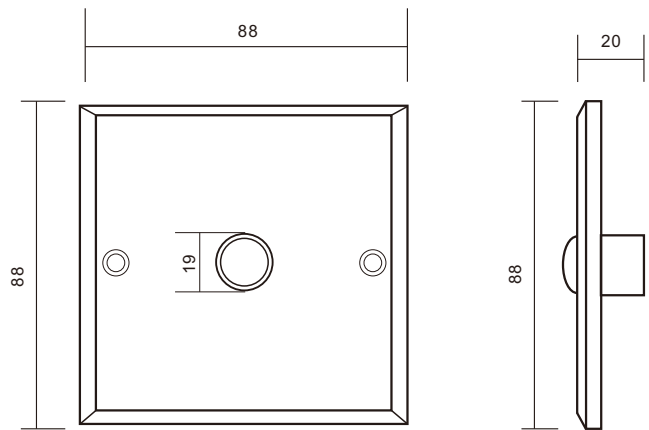
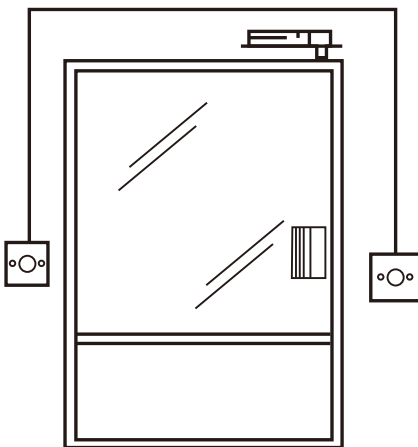


Model: PBK-807

Specification

- Size: 88Lx88Wx20H(mm)
- Standard Structure: Stainless steel Panel
Steel Button
- Current Rating: 3A@36VDC Max
- Output Contact: NO/COM
- Mechanical Life: 500000 tested
- Suitable for Door: Hollow Door
- Operating temp: 10~+55°C(14-131F)
- Operating Humidity: 0-95%(relative humidity)
- Panel Material: Stainless steel Panel
Wire Drawing Finished
- Weight: 0.17kg

Wiring Diagram



Installation

