



YLI ELECTRONIC

# Door Release Button (Stainless Steel)

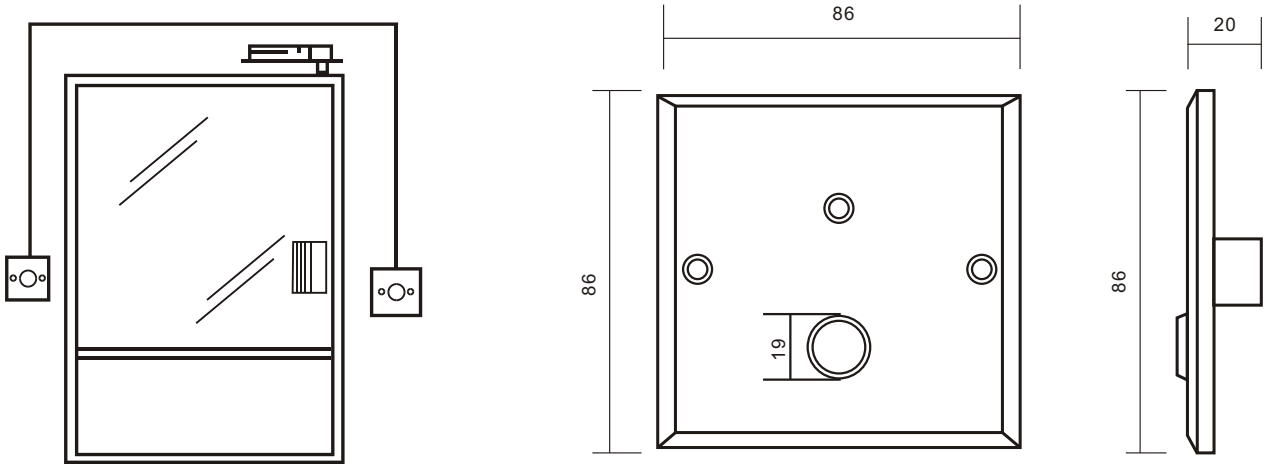
Model: YKS-701LS/LM



## Specification

- Size: 86Lx86Wx20H(mm)
- Current Rating: 3A@36VDC Max
- Optional Accessory: ABK-801B-M
- Operating temp: 10~+55°C(14-131F)
- Panel Material: Stainless Steel Panel,  
Wire Drawing Finished.
- Standard Structure: Stainless steel Panel with Key
- Output Contact: TAMP / NO / COM / NC / -LED+
- Safe Type: Weatherproof, Defend  
and Duplicate the Key.
- Operating Humidity: 0-95%
- Weight: 0.18kg

## Wiring Diagram



## Installation

