



YLI ELECTRONIC

# Call point(resettable switch)

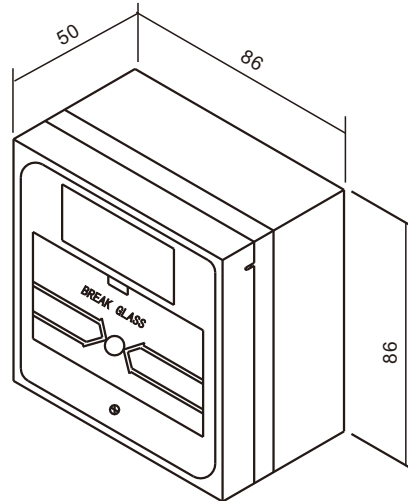
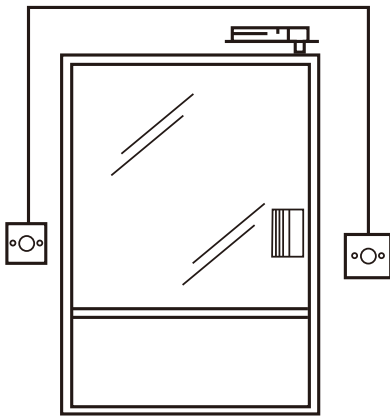
Model:CPK-90RA



## Specification

- Size: 86Lx86Wx50H(mm)
- Current Rating: 3A@36VDC Max
- Suitable for Door: Exit Door, Emergence Door
- Operating temp: 10~+55°C(14-131F)
- Material Selection: Fireproof Material, Sandblast Finished
- Weight: 0.2kg
- Standard Structure: Fireproof Material, Easy to install.
- Output Contact: NO/NC/COM
- Optional Accessories: Glass, Cover
- Operating Humidity: 0-95% (relative humidity)

## Wiring Diagram



## Installation

